

PUSHING LIMITS  
ADRENALINE  
CHALLENGES  
FAMILY MUD  
PERFORMANCE  
**WE'RE FARMING  
BUILT HUNTING  
FOR ADVENTURE  
THIS HARD WORK**

**WE'RE  
BUILT  
FOR  
THIS**



**OUTLANDER**



**RENEGADE**



**2019 ACCESSORIES, RIDING GEAR & GENUINE PARTS**  
EUROPE, MIDDLE EAST AND AFRICA VERSION



©2018 Bombardier Recreational Products Inc. (BRP). All rights reserved. ®, ™ and the BRP logo are trademarks of BRP or its affiliates.



# CAN-AM ACCESSORIES: THE PERFECT FIT

## ENHANCE & EXTEND YOUR OFF-ROAD EXPERIENCE WITH ACCESSORIES BUILT BY CAN-AM FOR CAN-AM.

Wherever you're going, and whatever you're doing, Can-Am Off-Road accessories can help get you there and get it done – faster and more efficiently. High-quality, innovative accessories that work right, fit right and feel right because they're developed or approved by Can-Am for Can-Am.

### QUALITY FIRST.

The best off-road accessories are here for a reason: you. High-performance engineering and hard-fought lessons drive the design of everything we do—from our vehicles to the oil they run on.

### RUGGED RELIABILITY.

Why do we guarantee Genuine Can-Am accessories for an entire year? Because we can. Install them yourself or at an authorized dealer and immediately upgrade your off-road vehicle without worry.

### STYLE & VISION.

Our designers work on both vehicles and accessories, meaning our accessories lineup performs perfectly and looks as great as the Can-ams they've been designed for.

## BRP LIMITED WARRANTY\*

FOR NEW PARTS, ACCESSORIES AND RIDING GEAR.

### 2 YEARS LIMITED WARRANTY\*\*

- GENUINE CAN-AM PARTS & ACCESSORIES INSTALLED BY YOU OR YOUR AUTHORIZED BRP DEALER
- CO-BRANDED PRODUCTS SOLD THROUGH BRP<sup>1</sup>
- RIDING GEAR

### 4 YEARS LIMITED WARRANTY\*\*

- HELMETS

\*Use other than which the product is designed for will void the product lifetime warranty. \*\*Applies only to BRP-made products or co-branded products made by accredited BRP partners (Lonestar Racing for Can-Am, DragonFire for Can-Am, S3 for Can-Am, Beard Seats for Can-Am, Baja Designs for Can-Am, etc.). Purchased at an authorized BRP dealership / distributor or on a BRP-authorized online store. Other exclusions may apply, see complete limited warranty or contact your Can-Am off-road authorized dealer. <sup>1</sup>Includes only BRP-approved aftermarket products and products made by currently accredited BRP partners. \*\*Unless otherwise stipulated or required by law. This limited warranty does not apply to factory installed accessories. This limited warranty does not apply on Evinrude parts and accessories. This limited warranty is effective as of March 1<sup>st</sup>, 2016.

© 2018 Bombardier Recreational Products Inc. (BRP). All rights reserved. ®, ™ and the BRP logo are trademarks of BRP or its affiliates. CARLISLE is a trademark of Carlisle Companies. CHAMUDE and HIPORA are registered trademarks of Kolon Industries, Inc. CLARINO is a trademark of Kuraray Co. Ltd. COOLMAX and THERMOLITE are registered trademarks of INVISTA for durable fabrics. DRIFRELEASE is a registered trademark of Optimer Inc. FOX is a registered trademark of Fox Racing Canada. GARMIN and MONTANA are registered trademarks of Garmin Ltd. iPod is a registered trademark of Apple Inc. KOLPIN, SUN BOOT and IMPACT are registered trademarks of Kolpin Powersports Inc. KYB is a registered trademark of Kayaba. microSD is a registered trademark of SD Card Association. Mud Lite XTR and SS312 are trademarks of TIP Tires. NEXT G-1 VISTA is a trademark of Next Camo, LLC. NGK is a registered trademark of NGK Spark Plugs, Ltd. PRIMALOFT GOLD and PRIMALOFT BLACK are registered trademarks of Albany International Corp. SUPERWINCH and S SUPERWINCH (design) are registered trademarks of Superwinch LLC. TEFLON, TEFLON HT and KEVLAR are trademarks of E.I. DuPont de Nemours & Co. TWINAIR is a trademark of Twin Air USA. UNI is a trademark of UNIFILTER Inc. VELCRO is a registered trademark of Velcro Industries. WARN is a trademark of Warn Industries Inc. YUASA is a registered trademark of YUASA Batteries Inc. ZILLA and BIGHORN 2.0 are trademarks of Maxxis. SCOTT is a trademark of Scott Sports SA. The following trademarks are the property of their respective owners: BLUETOOTH, CREE, DURO, DWT, HELLA, ITP, KENDA, MOSSY OAK, RAM, SUR LAST, VISION, XPS and YOSHIMURA. DRAGONFIRE is a trademark of KRANSCO. Baja Designs is a registered trademark of Baja Designs Inc. S3 POWERSPORTS is a trademark of S3 Power Sports LLC. Some models depicted herein may include optional equipment. Prices, if shown, are based on Manufacturer Suggested Retail Prices. Dealers may sell for a different price. For Canada & US, taxes are not included. Depending on location, products are distributed by BRP US Inc., Bombardier Recreational Products Inc., BRP European Distribution SA, BRP Finland Oy., BRP Australia Pty Ltd. or BRP Brasil Motorsports LTDA. BRP reserves the right, at any time, to discontinue or change specifications, prices, designs, features, equipment without incurring obligation.

<sup>1</sup>Warranty periods may vary per region.

2019

OUTLANDER  
RENEGADE

## ACCESSORIES

6	COMPATIBILITY GUIDE	43	MULTITRAILER
10	CARGO & STORAGE	43	HITCHES
16	WINDSHIELDS	44	PERFORMANCE
19	HANDLEBARS & MIRRORS	48	COVERS, DECALS & ADD-ONS
20	SEAT KITS	49	TRACK SYSTEMS
21	RACKS & HOLDERS	51	SNOWBLOWER
24	SKID PLATES	53	PLOWS
31	BUMPERS & GUARDS	58	OUTLANDER 6X6 ACCESSORIES
36	LIGHTS & ELECTRICAL		
40	WINCHES		

## TIRES & RIMS

62	TIRES	64	RIMS
----	-------	----	------

## SPORTSWEAR & RIDING GEAR

66	CAN-AM SPORTSWEAR	74	HELMETS
69	JERSEYS	75	DUST MASKS
70	MUD GEAR	75	COMMUNICATION SYSTEM
70	JACKETS & PANTS	76	GOGGLES
73	BOOTS	77	GLOVES
73	BALACLAVAS	78	JUNIOR
73	NECK AND BODY CORE PROTECTION	78	BAGS
		79	SIZING CHART

## PARTS & MAINTENANCE

80	GENUINE CAN-AM PARTS
86	OILS & MAINTENANCE



### GOING GLOBAL

This catalog, global in nature, shares BRP's full parts, accessories and clothing product offering. Some products may not be available in your country, due to different climates, local certifications and/or legal requirements. Contact your BRP dealer for local specifics.

## CAN-AMOFFROAD.COM



Explore our interactive online catalog. Instantly explore products, videos, large format images and share with friends!



Check out our videos to learn more about our new innovative riding gear and accessories.



Learn about and purchase XPS oils and lubricants.

## Visit [instructions.brp.com](https://instructions.brp.com) for BRP accessories instruction sheets.

You will find complete installation instructions, part number lists and service kits for repair and maintenance.





# WE'RE BUILT FOR HARD WORK

JOB AND JOURNEYS ARE EASIER WHEN SOMEONE'S GOT YOUR BACK: WE ENGINEER UTILITY UPGRADES TO WORK SEAMLESSLY AND TIRELESSLY WITH YOUR OUTLANDER.



OUTLANDER

- 15 LinQ HEAVY-DUTY BASKET
- 15 LinQ LOW PROFILE BASKET
- 33 XT FRONT & REAR BUMPERS
- 34 EXTREME FRONT BUMPER
- 41 CAN-AM TERRA 35 WINCH BY SUPERWINCH



# WE'RE BUILT FOR THE TRAIL AHEAD

THE ULTIMATE TRAIL ACCESSORIES DEVELOPED AND TESTED TO LEAD YOU FARTHER WITH PROVEN RELIABILITY AND USEFUL COMFORT FOR LONG RIDES.



OUTLANDER MAX

- 13 LinQ 32 GAL (124L) TRUNK BOX FOR OUTLANDER MAX
- 13 LinQ 32 GAL (124L) TRUNK BOX PANELS
- 17 DELUXE FAIRING
- 17 HIGH WINDSHIELD FOR DELUXE FAIRING
- 17 DELUXE MIRROR KIT
- 35 FENDER FLARES
- 36 HEATED HAND GRIPS & THROTTLE COMBO
- 37 BAJA DESIGNS HIGH BEAM KIT

# WE'RE BUILT FOR 40 BELOW

VERSATILE COLD-WEATHER CAPABILITY TO BE EXPERIENCED—AND EVEN ENJOYED—WITH THE APACHE TRACK SYSTEM AND CAN-AM PROMOUNT PLOW KIT.



OUTLANDER MAX

- 18 HIGH WINDSHIELD KIT
- 36 HEATED GRIPS & THUMB THROTTLE COMBO
- 41 WARN PROVANTAGE 3000 WINCH
- 51 APACHE 360 LT TRACK SYSTEM
- 51 APACHE 360 LT MOUNTING KIT
- 54 CAN-AM PROMOUNT FLEX2 60" (152 CM) BLADE
- 56 CAN-AM PROMOUNT PUSH FRAME EXTENSION
- 56 CAN-AM PROMOUNT PUSH FRAME WITH QUICK-ATTACH SYSTEM
- 56 CAN-AM PROMOUNT MOUNTING PLATE
- 57 CAN-AM PROMOUNT BLADE EXTENSIONS
- 57 CAN-AM PROMOUNT DRIFT CUTTERS

# WE'RE BUILT FOR HUNTING

YOUR PERFECT HUNTING RIG IS WITHIN REACH—IT'S JUST A MATTER OF OUTFITTING IT TO YOUR NEEDS. THE OUTLANDER ADAPTS QUICKLY BETWEEN JOB AND WEEKEND USE AND MAKES SHORT WORK OF BRINGING GAME HOME.



OUTLANDER

For the international market, the Squad Green color is only available on the Outlander 570 PRO.

- 11 LinQ PREMIUM STORAGE BAG BY OGIO
- 15 LinQ LOW PROFILE BASKET
- 18 LOW WINDSHIELD KIT
- 23 GUN BOOT 6.0 IMPACT BY KOLPIN
- 23 GUN BOOT RACK
- 33 XT FRONT & REAR BUMPERS
- 38 RAM LED SPOTLIGHT
- 41 WARN PROVANTAGE 3000 WINCH



# ATV ACCESSORY COMPATIBILITY GUIDE

**WE'VE MADE THINGS SUPER SIMPLE.**

Determine your **MODEL YEAR**, find your **MODEL** and **ENGINE CONFIGURATION**, and that'll reveal your **PLATFORM CODE**. This code will let you know at a glance if the accessory is compatible with your vehicle.

**EXAMPLE**

**CAN-AM PROMOUNT MOUNTING PLATE**

- Required to install the Can-Am ProMount Push Frame with Quick-Attach System.
- Mounting plate precision-designed to stay on year round without compromising ground clearance.

G2, G2L, G2S  
715004338

\$XXX



MODEL YEAR	MODEL	ENGINE CONFIGURATION	PLATFORM CODE
<b>2013</b>	Outlander	400	G1
	Outlander	500, 650, 800, 1000	G2
	Outlander MAX	400	G1
	Outlander MAX	500, 650, 800, 1000	G2
	Renegade	500, 800, 1000	G2S



<b>2014</b>	Outlander	400	G1
	Outlander	500, 650, 800, 1000	G2
	Outlander MAX	400	G1
	Outlander MAX	500, 650, 800, 1000	G2
	Renegade	500, 800, 1000	G2S



FOR G1 ACCESSORIES, REFER TO YOUR LOCAL DEALER.

MODEL YEAR	MODEL	ENGINE CONFIGURATION	PLATFORM CODE
<b>2015</b>	Outlander L	450,500	G2L
	Outlander	500, 650, 800, 1000	G2
	Outlander L MAX	450, 500	G2L
	Outlander MAX	500, 650, 800, 1000	G2
	6x6	650, 1000	G2
	Renegade	500, 800, 1000	G2S



<b>2016</b>	Outlander L	450, 570	G2L
	Outlander	570, 650, 850, 1000	G2
	Outlander L MAX	450, 570	G2L
	Outlander MAX	570, 650, 850, 1000	G2
	6x6	650, 1000	G2
	Renegade	570, 850, 1000	G2S



<b>2017</b>	Outlander	450, 570	G2L
	Outlander	650, 850, 1000	G2
	Outlander MAX	450, 570	G2L
	Outlander MAX	650, 850, 1000	G2
	6x6	650, 1000	G2
	Renegade	570, 850, 1000	G2S



<b>2018</b>	Outlander	450, 570	G2L
	Outlander	650, 850, 1000	G2
	Outlander MAX	450, 570	G2L
	Outlander MAX	650, 850, 1000	G2
	6x6	650, 1000	G2
	Renegade	570, 850, 1000	G2S



<b>2019</b>	Outlander	450, 570	G2L
	Outlander	650, 850, 1000, 1000R	G2
	Outlander MAX	450, 570	G2L
	Outlander MAX	650, 850, 1000, 1000R	G2
	6x6	650, 1000	G2
	Renegade	570, 850, 1000, 1000R	G2S



FOR G1 ACCESSORIES, REFER TO YOUR LOCAL DEALER.

# RUGGED. RELIABLE. DURABLE.

ALL **LinQ CARGO OPTIONS**  
ATTACH AND RELEASE IN  
SECONDS TO ADAPT BETWEEN  
**WORK AND PLAY**



SHOWN:  
LinQ 23 GAL (86L) TRUNK BOX  
LinQ 11.5 GAL (43L) AUDIO CARGO BOX

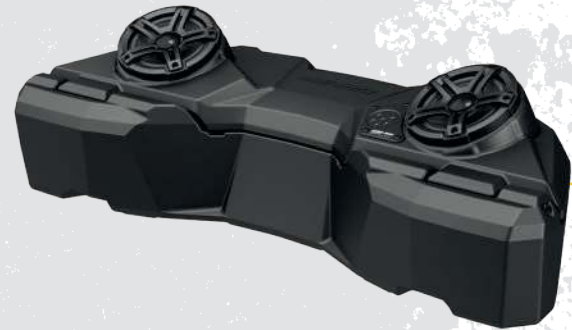


SHOWN:  
LinQ 32 GAL (124L) TRUNK BOX



## THE ULTIMATE RUGGED COOLER

LinQ 8 GAL (30L) COOLER BOX  
SEE P.10



## SERIOUS SOUND & STORAGE

LinQ 11.5 GAL (43L) AUDIO CARGO BOX  
SEE P.10



## SLIM & SLEEK CARGO BOX

LinQ 12 GAL (45L) CARGO BOX  
SEE P.11

## LIGHTWEIGHT ADDED CAPACITY WITH DIVIDERS

LinQ PREMIUM STORAGE BAG BY OGIO  
SEE P.11



## ULTIMATE ALL-WEATHER PROTECTION

LinQ 23 GAL (86L) TRUNK BOX  
SEE P.12



## YOUR LARGEST ITEMS COVERED WITH STYLE

LinQ 32 GAL (124L) TRUNK BOX  
SEE P.13



THERE'S A LinQ CARGO OPTION THAT **FITS YOUR NEEDS**

SEE P.10-15 TO DESIGN YOUR OWN CARGO SOLUTION



CATCH THE VIDEO  
CAN-AMOFFROAD.COM

**OUTLANDER RENEGADE**



**NEW LinQ 8 GAL (30L) COOLER BOX**

- LinQ mounted for easy-on, easy-off installation.
- Rotomolded construction provides exceptional rigidity and durability.
- Premium-quality foam insulation for optimal ice retention.
- Integrated, fully-removable compartment protects food.
- Robust rubber latches keep the cover tightly closed.
- Weather-resistant.
- Convenient drain plug.
- LinQ Luggage Rack (715001734) is required for G2S.

G2 (except 6x6 models), G2S

715004778 • Black

\$XXXX

G2 (except 6x6 models), G2S

715004698 • Grey

\$XXXX



**MUST HAVE**



**LinQ 11.5 GAL (43L) AUDIO CARGO BOX**

- An affordable and quick solution for adding music and storage to your next ride.
- Mounts on/off easily to hold/carry cargo safely and securely.
- The Bluetooth enabled receiver and 6.5" (16.5 cm) speakers are smartly concealed and integrated in the cover.
- Automatic shut-off function protects your battery by turning the system off after 10 minutes of inactivity.
- Backlit control panel perfect for night riding.
- Water-resistant speakers.
- Delivers the best sound quality on the market to sweeten your ride courtesy of a built-in full range high-efficiency amplifier.
- LinQ Base (715002350) is required for G2L.
- LinQ Luggage Rack (715001734) is required for G2S.

G2 (front only for 6x6 & MAX models 2013-2014), G2L, G2S

715003018

\$XXXX



**MUST HAVE**

**IT'S A CARGO BOX. IT'S AN AUDIO RECEIVER & SPEAKER SYSTEM. IT'S LinQ VERSATILITY & CAN-AM INNOVATION**



**UNMATCHED SEMI-RIGID RUGGED FLEXIBILITY WITH 3-SECTION LID**

**OUTLANDER RENEGADE**



**LinQ 12 GAL (45L) CARGO BOX**

- LinQ mounted for easy-on, easy-off installation.
- Holds cargo safely and securely while riding.
- LinQ Base (715002350) is required for G2L.
- LinQ Luggage Rack (715001734) is required for G2S.

G2 (front only for 6x6 & MAX models 2013-2014), G2L, G2S

715003879

\$XXXX



**NEW LinQ PREMIUM STORAGE BAG BY OGIO**

- Tool-less installation and removal thanks to the LinQ System.
- 17.2 Gal (65 L) capacity semi-rigid cargo bag ideal for carrying anything you need on your vehicle.
- Buckle and elastic closure with a rubber seal that protects dust from entering the bag.
- 3-section lid for partial or full access to your bag.
- Inside separators for optimal bag organization.
- LinQ Base (715002350) is required for G2L.
- LinQ Luggage Rack (715001734) is required for G2S.

G2 (except 6x6 models), G2L, G2S

715002923 • Black

\$XXXX

715003248 • Mossy Oak Break-Up Country Camo

\$XXXX



**INSIDE SEPARATORS FOR OPTIMAL BAG ORGANIZATION**



## DURABLE OFF-ROAD CARGO PROTECTION WITH SEAT PADS



### OUTLANDER



#### LinQ 23 GAL (86L) TRUNK BOX

- LinQ mounted for easy-on, easy-off installation.
- Lockable and weather-resistant.
- Holds cargo safely and securely while riding.
- Comfort pads for passenger.
- LinQ Base (715002350) is required for G2L.

G2 (except 6x6 models), G2L, G2S

715004923

\$XXXX



#### LinQ BASE

- Made of polypropylene glass fiber.
- Allows you to install LinQ accessories.
- Sold in pack of 4.

G2L

715002350

\$XXXX



#### LinQ REPLACEMENT PARTS

- Unique mounting fastener usable on any LinQ System accessory.
- Tool-less installation and removal.
- Sold in pairs.

715001707

\$XXXX



Some products shown may not be available or homologated in your country. Contact your BRP dealer for local details.

### OUTLANDER RENEGADE

## LinQ 32 GAL (124L) TRUNK BOXES

#### Seamless integration with vehicle

- Built from the design stage to specifically match your Can-Am vehicle.
- Totally cohesive design eliminates the need to modify your vehicle in any way\*.
- Rear tail light.

#### Easy quick-attach installation

- Equipped with the LinQ System, the rear trunk box plugs in and out in seconds.
- Instantly transforms your vehicle to suit the need of the moment.

#### Unparalleled storage

- 32 Gal (124L) load capacity with contiguous unobstructed space to maximize storage room and access to the trunk's interior.

#### Dust & weather proof

- The fully sealed lid protects your belongings from dust, moisture and the elements.

#### Lockable

- Built-in lockable barrel.

#### Built tough

- Made of injection-molded polyethylene, double walled in critical areas.



#### LinQ 32 GAL (124L) TRUNK BOX

- LinQ Retrofit Adaptor Plate (715001334) is required for G1 models.
- Trunk Box Panels available in many colors to match your vehicle (sold separately).
- LinQ Luggage Rack (715001734) is required for G2S.

G2 (except MAX models & 6x6), G2S

715001747

\$XXXX

European Version (EC compliant)

- No rear tail light.

715001748



#### LinQ 32 GAL (124L) TRUNK BOX FOR OUTLANDER MAX

- Passenger comfort is ensured on active rides as well as longer recreational rides thanks to the ergonomically designed passenger padding comfort-fitted with a portion made of closed cell foam that won't absorb water.
- Very easy to embark even when driver is seated.
- Trunk Box Panels available in many colors to match your vehicle (sold separately).

G2 (MAX models only except 6x6 models)

715001749

\$XXXX

EUROPEAN VERSION (EC compliant)

- No rear tail light.

715001750



#### LinQ 32 GAL (124L) TRUNK BOX PANELS

- Color panels to match the 32 Gal (124L) LinQ Trunk Box to your vehicle.

LinQ 32 Gal (124L) Trunk Boxes

- 715001391 - Black
- 715001392 - Yellow
- 715001395 - Viper Red
- 715002481 - White
- 715002480 - Light Grey
- 715002984 - Octane Blue
- 715002985 - Manta Green
- 715002986 - Can-Am Red

\$XXXX

EUROPEAN VERSION (EC compliant)

- No rear tail light

- 715001397 - Black
- 715001398 - Yellow
- 715002482 - Light Grey
- 715002483 - White



#### CAMO DECALS FOR BLACK TRUNK BOX PANELS

(Not illustrated)

- Camo pattern perfectly matches your camo vehicle.

Black LinQ 32 Gal (124L) Trunk Box Panel

- 715002975 - Mossy Oak Break-Up Country Camo
- 715001683 - Next G-1 Vista Camo

\$XXXX

\*WARNING: You should never accessorize your Can-Am off-road vehicle with accessories not approved by BRP because your vehicle may no longer meet certain safety and construction standards. This situation could increase the risk of severe injury or death and render your vehicle not legal for use.





PROTECTS  
YOUR GEAR.  
ORGANIZES  
YOUR STORAGE.  
MAXIMIZES  
VERSATILITY.

**OUTLANDER RENEGADE**

**SOFT STORAGE BAG**

- 3-section bag.
- Transport gear in a weatherproof bag.
- 11.8 Gal (45L) capacity soft cargo bag designed with vehicle's rack in mind to maximize potential storage.
- LinQ Luggage Rack (715001734) is required for G2S.

G2, G2L, G2S  
715003759 • Black

\$XXXX

715001935 • Mossy Oak Break-Up Country Camo

\$XXXX



**CARGO BAG**

- Rugged all-purpose cargo bag with rain cover for additional protection against the elements.
- LinQ Luggage Rack (715001734) is required for G2S.

G2, G2L, G2S  
280000539

\$XXXX



RAIN COVER  
FOR ADDITIONAL  
PROTECTION

**RENEGADE**

**STORAGE 2.6 GAL (10L) BAG**

- Roll-top dry bag for fully protecting your cargo from the elements.
- Fits in rear compartment of your vehicle.

Fits all  
269502121

\$XXXX



**REAR BAG FOR RENEGADE 4.5 GAL (17L)**

- Weatherproof, scratch-resistant, with a molded rubber bottom.
- Tool-less installation and removal.
- With 2 straps that go underneath the rack and click into the front of the bag.
- Requires Rear Aluminum Rack.

G2S  
715002391

\$XXXX



LinQ SYSTEM MOUNTS  
BASKETS IN SECONDS SO YOU  
CAN LOAD & GO QUICKER

CATCH THE VIDEO  
CAN-AMOFFROAD.COM

**OUTLANDER RENEGADE**



**LinQ HEAVY-DUTY BASKET**

- Made of high-strength, low-alloy steel.
- LinQ mount for easy-on, easy-off installation.
- Can be placed on both front and back racks of vehicle.
- LinQ Base (715002350) is required for G2L.
- LinQ Luggage Rack (715001734) is required for G2S.

G2, G2L (front only for MAX & 6x6 models), G2S

715001215

\$XXXX



**LinQ LOW PROFILE BASKET**

- Low profile, open basket increases cargo space.
- Perfect for easy access to tools, rope, winch and plow accessories.
- Multiple bungee cord and tie-down anchor points.
- Made of impact-resistant injected polypropylene.
- LinQ Base (715002350) is required for G2L.
- LinQ Luggage Rack (715001734) is required for G2S.

G2, G2L (front only for MAX & 6x6 models), G2S

715004282

\$XXXX





# CREATE YOUR WIND PROTECTION

This configuration:  
**DELUXE FAIRING - BLACK**  
**LOW WINDSHIELD**  
**AUXILIARY WINDSHIELD LIGHTING**  
**DELUXE MIRROR KIT**

## CHOOSE A DELUXE FAIRING AND GET THE WINDSHIELD HEIGHT ACCORDING TO YOUR RIDING STYLE



### DELUXE FAIRING

- Innovative, richly-featured wind protection.
- Quick tool-less removal once base brackets are mounted on handlebar.
- 2 cup holders.
- GPS-mounting-kit-ready.

G2 (except X mr & 6X6), G2L

- 71500935 - Yellow 2000
- 715001231 - Red Viper

\$XXXX

### CAMO DECALS FOR BLACK DELUXE FAIRING

- Camo pattern perfectly matches your camo vehicle.

Deluxe Fairing

- 715002976 - Mossy Oak Break-Up Country Camo
- 715001684 - Next G-1 Vista Camo

\$XXXX

### AUXILIARY WINDSHIELD LIGHTING

- 2 premium LED spots for Deluxe Fairing for both increased output and directional lighting.
- 1,800 lumens.
- 2 10W LED Cree light kit.
- Long-range illumination up to 350' (107 m), drawing less than 1 amp per light.

Deluxe Fairing

715003115

\$XXXX



- Optional mirrors and auxiliary lighting.
- Requires low, high or extra high windshield.
- Tapered Handlebar Adaptor Kit is required for vehicles with 1 1/8" (28 mm) tapered aluminum handlebars.
- Does not fit T3 units.

- 715001232 - Black
- 715002479 - Light Grey

### TAPERED HANDLEBAR ADAPTOR KIT

(Not illustrated)

- Required to install Deluxe Fairing on an Outlander X-TP and on any vehicle equipped with 1 1/8" (28 mm) tapered aluminum handlebars.

Deluxe Fairing

715002470

\$XXXX

### DELUXE MIRROR KIT

- Improved mounting system.
- Wide rear view.
- Perfect fit with your Deluxe Fairing and Deluxe Windshield.

Deluxe Fairing

715002353

\$XXXX



### 1 EXTRA HIGH WINDSHIELD

- 16" (41 cm) windshield provides the ultimate protection against the elements while touring.
- For wind protection and winter applications.
- Tool-less installation and replacement.

Deluxe Fairing

71500936

\$XXXX



### 2 HIGH WINDSHIELD

- 11" (28 cm) high, for wind protection and winter applications.
- Tool-less installation and replacement.

Deluxe Fairing

715001211

\$XXXX



### 3 LOW WINDSHIELD

- 6" (15 cm) windshield allows you to keep your vehicle looking sporty while giving you some protection from the elements and the possibility of enjoying directional lighting.
- Tool-less installation and replacement.

Deluxe Fairing

715001227

\$XXXX



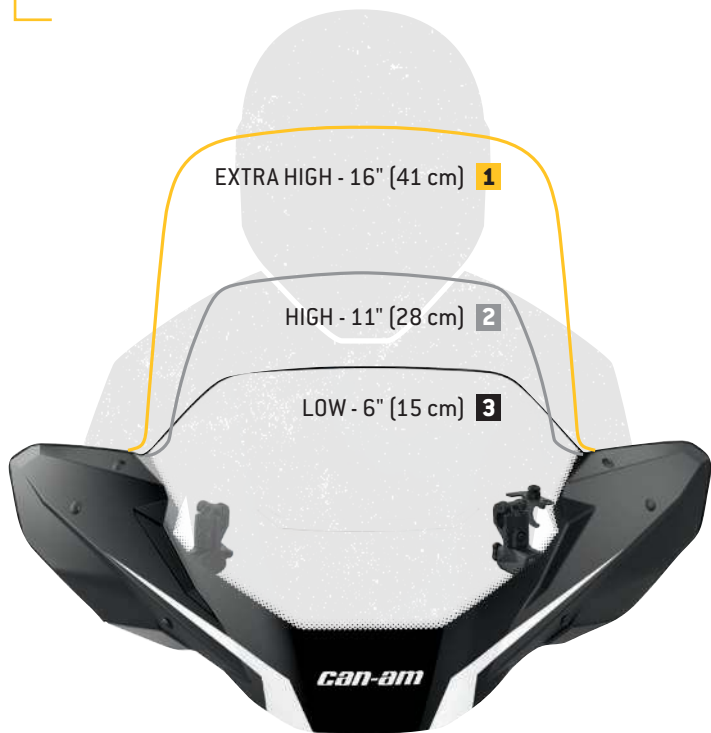


WIND-DEFLECTING COMFORT & EYE-CATCHING STYLE

OUTLANDER RENEGADE

## WINDSHIELD KITS

- Made of polycarbonate with integrated vent to reduce air turbulence and rumble noise at high speed for a quieter and smoother ride.
- Quick tool-less removal once base brackets are mounted on handlebar.
- Fits straight and tapered handlebars.



**1 NEW EXTRA HIGH WINDSHIELD KIT**  
 • 16" (41 cm) windshield.  
 • For ultimate wind protection and winter applications.

G2, G2L, G2S  
 (except X mir models)  
 715003023  
 \$XXXX



**2 NEW HIGH WINDSHIELD KIT**  
 • 11" (28 cm) windshield.  
 • For wind protection and winter applications.

G2, G2L, G2S  
 (except X mir models)  
 715003022  
 \$XXXX



**3 NEW LOW WINDSHIELD KIT**  
 • 6" (15 cm) windshield.  
 • Allows you to keep your vehicle looking sporty while giving you some protection from the elements.

G2, G2L, G2S  
 (except X mir models)  
 715003021  
 \$XXXX



Some products shown may not be available or homologated in your country. Contact your BRP dealer for local details.

OUTLANDER RENEGADE

### HANDLEBAR WIND DEFLECTORS

- Rugged injected plastic construction with Can-Am logo.
- Include removable cap for air flow adjustment.
- Mounting kit sold separately.

G2, G2L, G2S

- 715000525 - Black / Yellow
- 715000537 - White / Black
- 715001706 - Black / Black
- 715000733 - Yellow / Black
- 715003811 - Can-Am Red / Black
- 715003812 - Manta Green / Black
- 715003813 - Orange / Black
- 715003814 - Octane Blue / Black

\$XXXX



### PASSENGER WIND DEFLECTORS

- These wind deflectors fit on the passenger handles and provide greater comfort while riding.
- Easy to install and remove.

G2 and G2L (MAX models only)

715001669

\$XXXX



### FULL WRAP ALUMINUM MOUNTING KIT

- Lightweight black die cast aluminum construction.
- Includes complete hardware.
- Handlebar wind deflectors sold separately.

G2, G2L, G2S

715001378

\$XXXX



### SHORT ALUMINUM MOUNTING KIT

- Lightweight black die cast aluminum construction.
- Includes complete hardware.
- Handlebar wind deflectors sold separately.

G2, G2L, G2S

715001379

\$XXXX



### MIRROR KIT FOR HANDLEBAR WIND DEFLECTORS

- Do not fit with Full Wrap Aluminum Mounting Kit (715001378).
- Sold in pairs.

Handlebar Wind Deflectors

860200080

\$XXXX



### ALUMINUM TAPERED HANDLEBAR

- 7/8" - 1 1/8" (22 mm - 28 mm) tapered handlebar made of 6061-T6 aluminum.
- Includes all hardware, center steering foam and cover.

G2, G2L, G2S

715000550

\$XXXX



### XT HANDLEBAR PROTECTOR KIT

- Not compatible with Mud Strap (715003053).

G2, G2L

703100352

\$XXXX



### MIRRORS

- True vision surface 5" x 3" (13 cm x 8 cm).
- Matte finish.
- Stem includes 3/8" (10 mm) thread.

Left - 3/8" (10 mm)

- Bracket (715000190) is required for installation on DS 450.
- Bracket not required for installation on Outlander and Renegade.

709400406

\$XXXX

Right - 3/8" (10 mm)

- Bracket (715000190) required except for vehicles with right hand break.

709400523

\$XXXX





## OUTLANDER

### DRIVER BACKREST

- Provides the rider's back with that extra support that makes riding that extra mile way more comfortable.
- Adjusts horizontally to match the driver's height and preference.
- Mounts and locks in firmly onto the vehicle.

G2 (except 6x6 & MAX models)  
715003940

\$XXXX

G2 and G2L (MAX models only, except 6x6 models)  
715003942

\$XXXX

G2L (except MAX models)  
715003941

\$XXXX

DRIVER BACKREST DELIVERS EXTRA SUPPORT SO YOU CAN COVER EXTRA MILES



### OUTLANDER MAX PASSENGER SEAT KIT

- Perfect to replace used or damaged passenger seat.

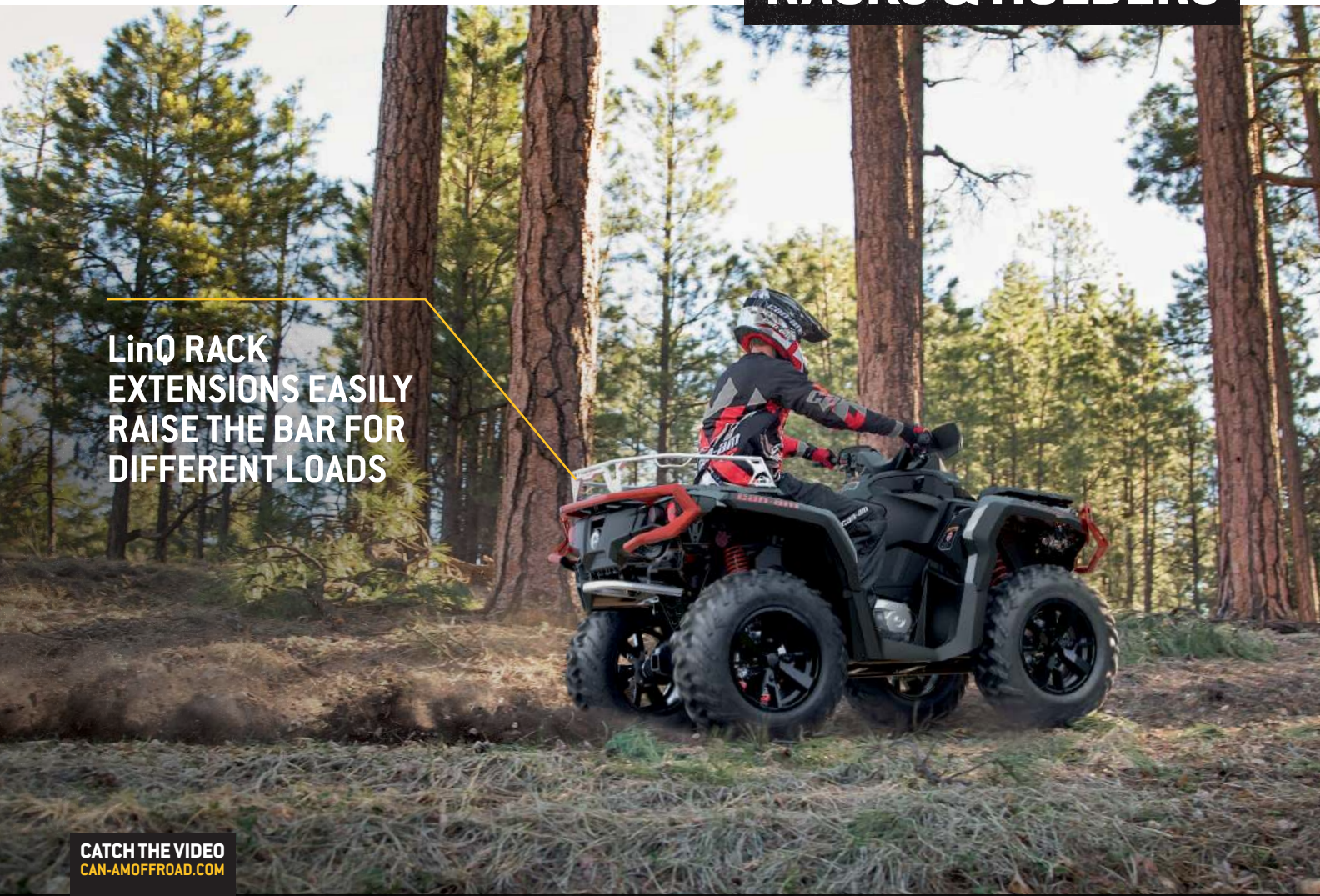
G2 2015 and up, G2L (MAX models only)

715002373

\$XXXX



Some products shown may not be available or homologated in your country. Contact your BRP dealer for local details.



LinQ RACK EXTENSIONS EASILY RAISE THE BAR FOR DIFFERENT LOADS

CATCH THE VIDEO  
CAN-AMOFFROAD.COM

## OUTLANDER RENEGADE

### LinQ SYSTEM™ RACK EXTENSIONS

- Fits front or rear.
- Strong and durable.

- Helps keep cargo securely in place.
- Easy and tool-less installation thanks to the LinQ System.

- Anti-corrosion coating with durable powder coat finish.

- LinQ Luggage Rack (715001734) is required for G2S.

#### LinQ 4" (10 CM) RACK EXTENSION

G2, G2S

715001711 - Silver

715001665 - Black

\$XXXX



#### LinQ 6" (15 CM) RACK EXTENSION

G2, G2S

715001712 - Silver

715001671 - Black

\$XXXX





**OUTLANDER**

# RACK EXTENSIONS

- Fits front or rear.
- Made of carbon steel.
- Provides tie-down points to secure cargo on racks.
- Easy installation on tubular rack.
- Anti-corrosion coating with durable powder coat finish.

**5" (13 CM) RACK EXTENSION**

G2L  
715001913  
\$XXXX



**8" (20 CM) RACK EXTENSION**

G2L  
715001914  
\$XXXX



**RENEGADE**



**LinQ LUGGAGE RACK**

- Bolt-on rack.
- Enables use of LinQ mounted accessories on the G2S.

G2S (except X mr models)  
715001734  
\$XXXX



**BOLT-ON RACK QUICKLY & EASILY LETS YOU ADD LinQ MOUNTED ACCESSORIES ONTO YOUR RENEGADE**

**REAR ALUMINUM RACK**

- 30 lb (14 kg) capacity.
- Compact, lightweight aluminum construction.
- Engraved Can-Am logo.
- Stamped 5052 aluminum center plate.
- Easy to install.

G2S  
715001360  
\$XXXX



**OUTLANDER**

**GUN BOOT RACK**

- Made of steel.
- Designed for the tubular rack.
- For use with Gun Boot 6.0 Impact by Kolpin.
- Can be mounted to either side of the vehicle.

G2L (except MAX models) 715001918 \$XXXX	G2L (MAX models only) 715001919 \$XXXX
--	--



**LinQ GUN BOOT RACK**

- (Not illustrated)
- This lightweight Gun Boot Rack can be mounted on either side of your Outlander using the tool-less LinQ System.
- For use with Gun Boot 6.0 Impact by Kolpin.

G2 (except MAX, 6X6 & X mr 1000)  
715002112 • Black  
\$XXXX

G2 (MAX & X mr 1000 models only)  
715002113 • Black  
\$XXXX

**GUN BOOT 6.0 IMPACT† BY KOLPIN†**

- Extra room for pistol-grip-type weapons and small bipods.
- Easily fits firearms up to 51" (130 cm) in total length.
- Provides ample room for 2 3/8" (60 mm) scopes.
- Hatchback design allows easy access.
- Ergonomically designed handle and molded attachment points for sling.

G2, G2L  
715001419  
\$XXXX

- Snap-close cover with locking capability.
- Designed to accommodate left and right hand bolt-action rifles and shotguns.
- Includes removable, shock absorbing foam and nylon impact liner for superior interior protection.
- Requires appropriate mounting kit for installation.



**MULTI-FIT HOLDER**

- Open u-shaped bracket for carrying tools (shovel, axe) and hunting weapons (rifle, bow) that are safely secured, but easily accessible.
- Easy installation on tubular rack, extension racks, basket or bumpers.
- For G2, the LinQ Rack Extension is required.
- Sold in pairs.

G2, G2L  
Single  
715002354  
\$XXXX

G2, G2L  
Double  
715001945  
\$XXXX



**OUTLANDER RENEGADE**



**LinQ MOUNTED GEAR GRIPS BY KOLPIN**

- (Not illustrated)
- Same features as Gear Grip by Kolpin (715001421).
- Make transporting your tools a snap by combining the Gear Grips with the LinQ System.
- 360° orientation.
- LinQ Luggage Rack (715001734) is required for G2S.

G2, G2S  
715001351  
\$XXXX



**GEAR GRIPS BY KOLPIN**

- Durable, flexible grips cushion and protect while providing a custom fit for a variety of items from 1" to 4" (2.5 cm to 10 cm) in diameter.
- Heavy-duty design for carrying bows, fishing poles, rakes, farm tools and more.
- Quick-release button opens grip quickly for easy access to gear.
- Heavy-duty base system built for the toughest adventures.
- Easy installation on tubular racks, extension racks, brackets or bumpers.
- Sold in pairs.

G2L  
715001421  
\$XXXX



**LinQ TOOL HOLDER**

- Ultra-versatile tool holder.
- Convenient swivel-latch allows tools to be stored in any orientation.
- LinQ Luggage Rack (715001734) is required for G2S.
- Sold in pairs.

G2, G2S  
715003059  
\$XXXX



Some products shown may not be available or homologated in your country. Contact your BRP dealer for local details.

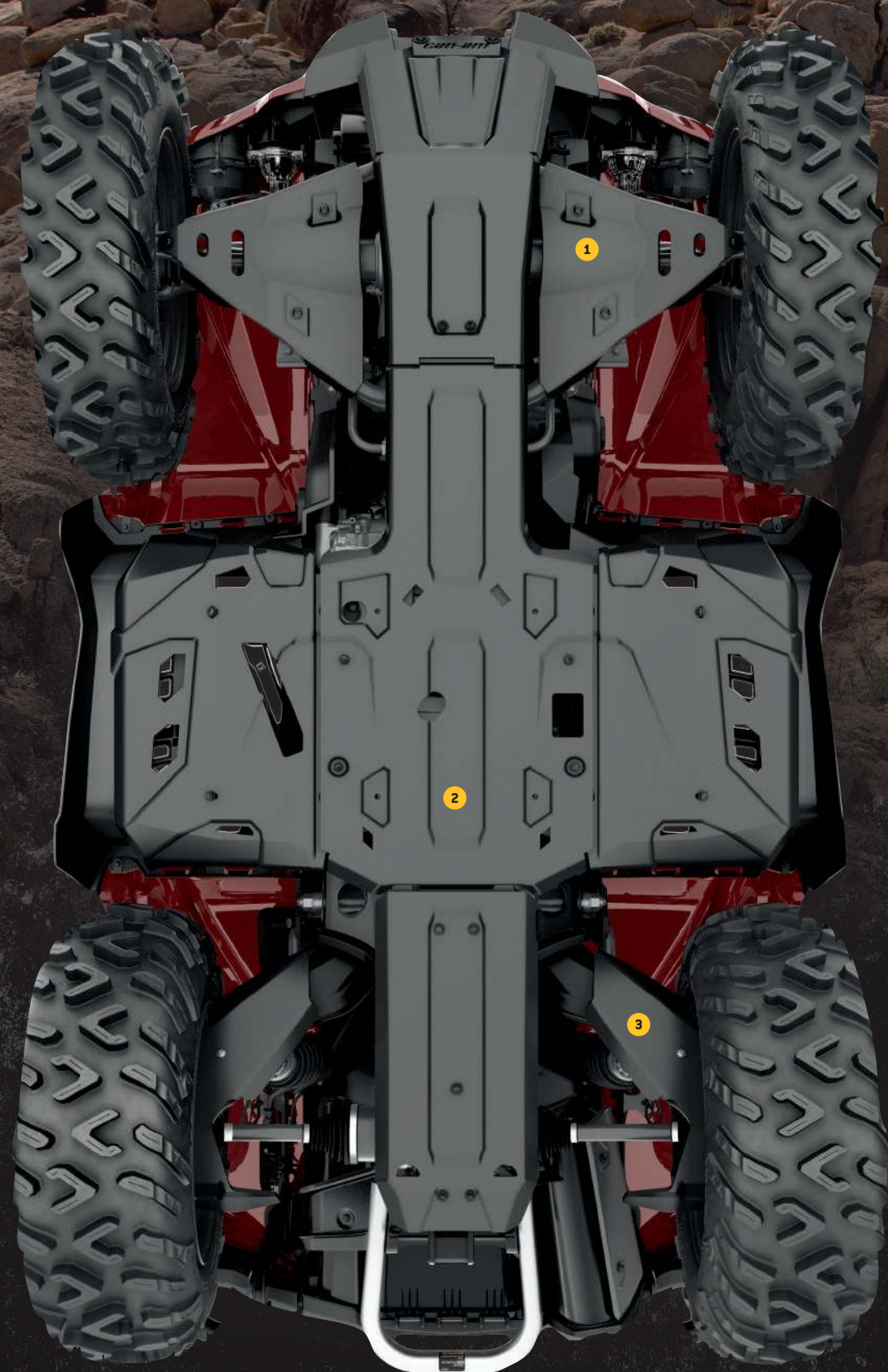
OUTLANDER RENEGADE

# HMWPE SKID PLATES

Our Plastic Plates glide smoothly and silently over obstacles, offering great protection in rough terrain. Made of 1/4" (6 mm) thick abrasion-resistant thermoformed High Molecular Weight Polyethylene (HMWPE). Lighter than aluminum. Superior stress crack resistance. High impact strength.

OFFER YOUR OUTLANDER OR RENEGADE THE FULL PROTECTION KIT OR GET THEM INDIVIDUALLY

FIND YOUR MODEL YEAR AND PLATFORM



	G2					G2L		G2S		
	2016 & PRIOR MODELS (EXCEPT MAX MODELS & X MR 1000R)	2016 & PRIOR MAX & X MR 1000R MODELS	2017-2018 MODELS (EXCEPT MAX & X MR 1000R)	2017-2018 MAX & X MR 1000R MODELS	2019 MODELS (EXCEPT MAX & X MR 1000R)	2019 MAX & X MR 1000R MODELS	(EXCEPT MAX MODELS)	MAX MODELS ONLY	2017-2018 MODELS	2019 MODELS
<b>HMWPE SKID PLATE PROTECTION KIT</b>	715004214 \$XXXX	715004215 \$XXXX	715004209 \$XXXX	715004210 \$XXXX	715004806 \$XXXX	715004807 \$XXXX	715004211 \$XXXX	715004212 \$XXXX	715004213 \$XXXX	715004809 \$XXXX
<b>INDIVIDUAL HMWPE SKID PLATES</b>										
<b>1 A-ARM PROTECTORS</b> • Protect CV joints and rubber boots. • Include water and mud drainage holes. • Sold in pairs.	715002924 \$XXXX	715002924 \$XXXX	715002924 \$XXXX	715002924 \$XXXX	715004822 \$XXXX	715004822 \$XXXX	715002924 \$XXXX	715002924 \$XXXX	715002924 \$XXXX	715004822 \$XXXX
<b>2 UNDERBELLY PLATES</b> • Include Front Skid Plate, Central Skid Plate, Footwell Protector Plates and Rear Skid Plate. • Allow access to oil drain plug. • Include water and mud drainage holes.	715002926 \$XXXX	715002927 \$XXXX	715002926 \$XXXX	715002927 \$XXXX	715002926 \$XXXX	715002927 \$XXXX	715002928 \$XXXX	715002929 \$XXXX	715002974 \$XXXX	715002974 \$XXXX
<b>3 TRAILING ARM PROTECTORS</b> • Include water and mud drainage holes. • Sold in pairs.	715002925 \$XXXX	715002925 \$XXXX	715003466 \$XXXX	715003466 \$XXXX	715004823 \$XXXX	715004823 \$XXXX	715003466 \$XXXX	715003466 \$XXXX	715003466 \$XXXX	715004823 \$XXXX
<b>PLASTIC SKID PLATES</b>										
<b>FRONT AND CENTRAL PLASTIC SKID PLATES</b> (Not illustrated) • Designed to protect frame and engine from rough terrain conditions. • Standard on Outlander L DPS® and Outlander L MAX DPS.	-	-	-	-	715002374 (STD only) \$XXXX	-	-	-	-	-

\*Full HMWPE Skid Plate Protection Kit is available for 6x6 models. See page 61.

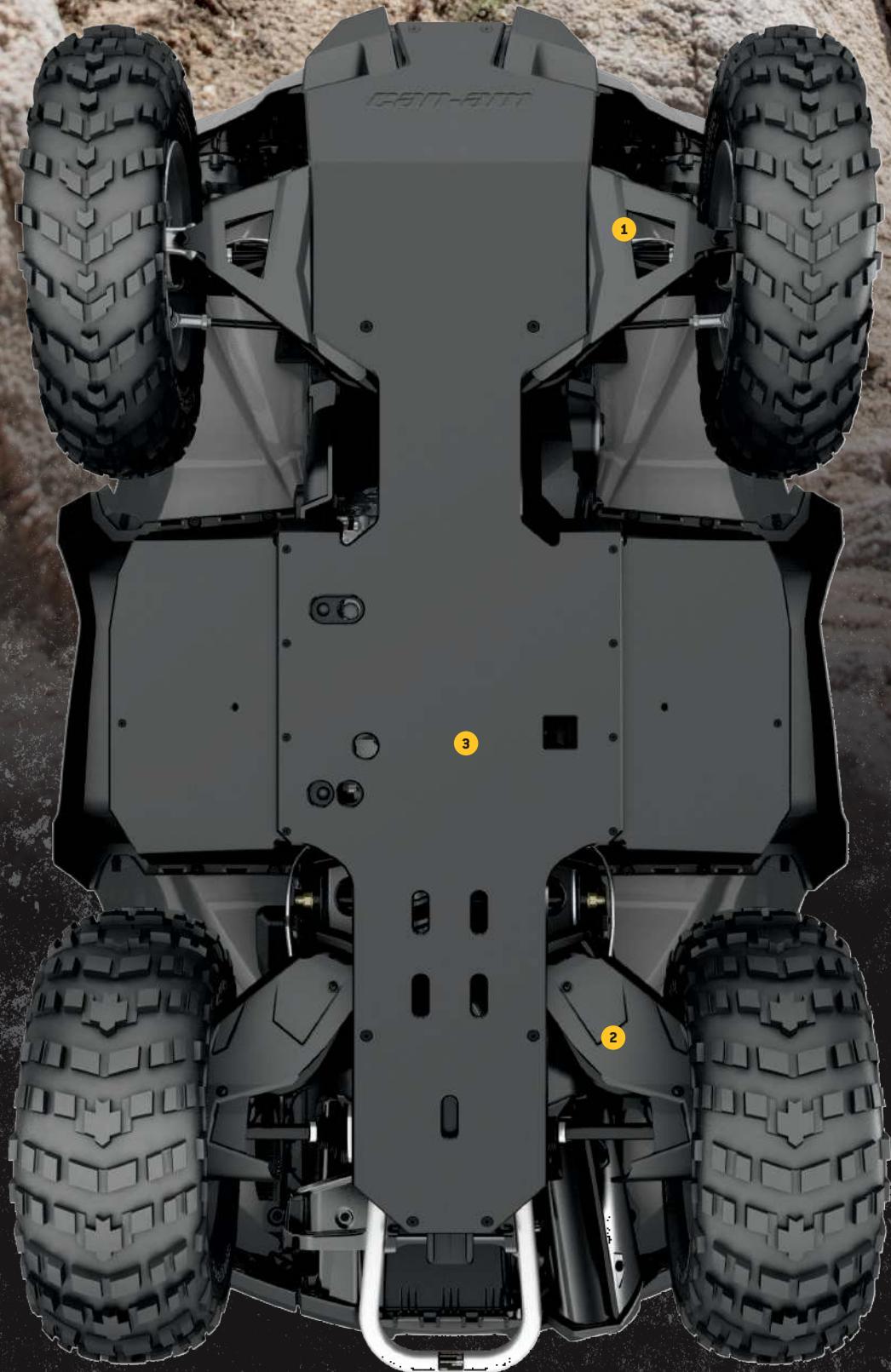
OUTLANDER RENEGADE

# PLASTIC SKID PLATES

Our Plastic Plates glide smoothly and silently over obstacles, offering great protection in rough terrain. Made of abrasion-resistant thermoformed High Molecular Weight Polyethylene (HMWPE). Lighter than aluminum.

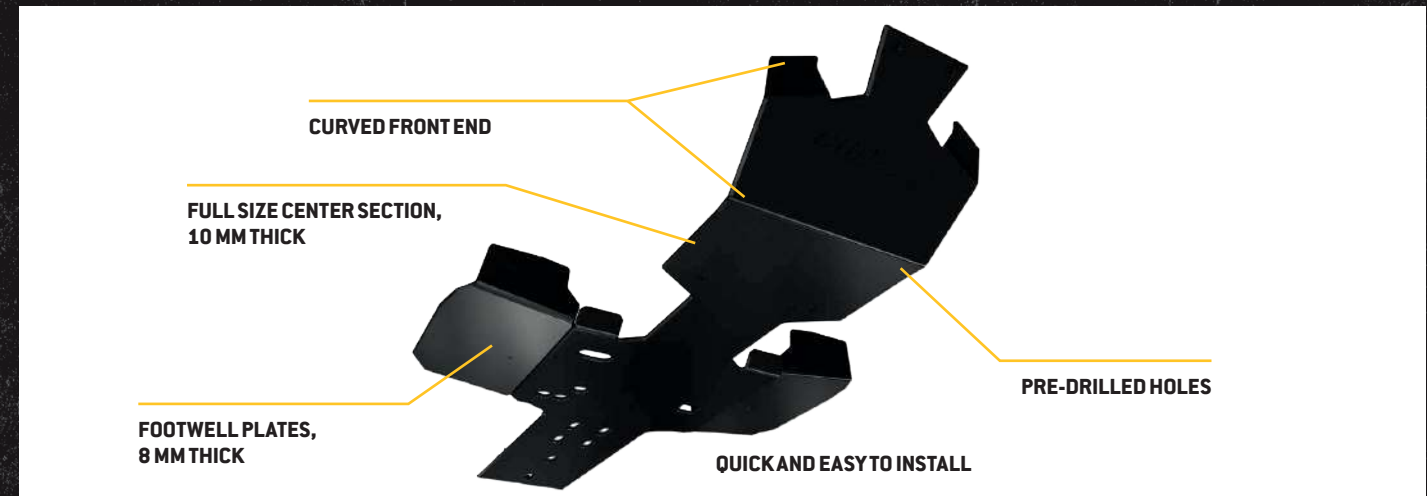
OFFER YOUR OUTLANDER & RENEGADE THE FULL PROTECTION KIT OR GET THEM INDIVIDUALLY

FIND YOUR MODEL YEAR AND PLATFORM



## INDIVIDUAL PLASTIC SKID PLATES

	OUTLANDER	OUTLANDER MAX	OUTLANDER 6X6	G2, G2S	G2L	G2L MAX
<b>1 A-ARM PROTECTORS G2</b> - Protect CV joints and rubber boots. - Include water and mud drainage holes. - Thickness 6 mm. - Can-Am logo. - Sold in pairs.	715002924 \$XXXX	715002924 \$XXXX	715002924 \$XXXX	715002924 \$XXXX	—	—
<b>2 TRAILING ARM PROTECTORS G2</b> - Include water and mud drainage holes. - Sold in pairs. - Thickness 6 mm.	715002925 \$XXXX	—	715002925 \$XXXX	715002925 \$XXXX	—	—
<b>3 PLASTIC SKID PLATE G2</b> For G2 chassis.	715003046 \$XXXX	715003047 \$XXXX	—	—	715002977 \$XXXX	715002978 \$XXXX



OUTLANDER

# ALUMINUM SKID PLATES

Our Aluminum Plates are made with high strength 5052 H32 aluminum.

A must-have for rugged terrain.



OFFER YOUR OUTLANDER  
THE FULL PROTECTION KIT OR  
GET THEM INDIVIDUALLY

FIND YOUR MODEL YEAR AND PLATFORM

	G2						G2L		
	2016 & PRIOR MODELS (EXCEPT MAX MODELS & X MR 1000R)	2016 & PRIOR MAX & X MR 1000R MODELS	2017-2018 MODELS (EXCEPT MAX & X MR 1000R)	2017-2018 MAX & X MR 1000R MODELS	2019 MODELS (EXCEPT MAX & X MR 1000R)	2019 MAX & X MR 1000R MODELS	2018 & PRIOR 6X6 MODELS ONLY	(EXCEPT MAX MODELS)	MAX MODELS ONLY
<b>ALUMINUM SKID PLATE PROTECTION KIT</b>	715002137 \$XXXX	715002138 \$XXXX	715004197 \$XXXX	715004198 \$XXXX				715004199 \$XXXX	715004200 \$XXXX
<b>INDIVIDUAL ALUMINUM SKID PLATES</b>									
<b>1 A-ARM PROTECTORS</b> • 1/8" (3 mm) thick lightweight and durable design. • Add more protection to the CV joints and rubber boots. • Drain holes to release water, mud and debris. • Easy to install. • Replace stock plastic protectors. • Sold in pairs. • Except X mr models.	715001667 \$XXXX	715001667 \$XXXX	715001667 \$XXXX	715001667 \$XXXX	-	-	715001667 \$XXXX	715001667 \$XXXX	715001667 \$XXXX
<b>2 FRONT SKID PLATE</b> • 3/16" (4.5 mm) thick and die-formed for strength and durability. • Use in conjunction with the central skid plate for full frame protection.	715000926 \$XXXX	715000926 \$XXXX	715000926 \$XXXX	715000926 \$XXXX	715000926 \$XXXX	715000926 \$XXXX	-	715001906 \$XXXX	715001906 \$XXXX
<b>3 CENTRAL SKID PLATE</b> • 3/16" (4.5 mm) thick for durability and strength. • Drain holes to release water, mud and debris. • Allows access to oil drain plug. • Must be installed with front skid plate.	715002078 \$XXXX	715002078 \$XXXX	715002078 \$XXXX	715002078 \$XXXX	715002078 \$XXXX	715002078 \$XXXX	-	715002078 \$XXXX	715002078 \$XXXX
<b>4 FOOTWELL PROTECTOR PLATES</b> • 1/8" (3 mm) thick lightweight and durable design. • Use in conjunction with the central skid plate. • Drain holes to release water, mud and debris. • Sold in pairs. • Don't fit with 30" Xmr tires.	715000922 \$XXXX	715000922 \$XXXX	715000922 \$XXXX	715000922 \$XXXX	715000922 \$XXXX	715000922 \$XXXX	-	715000922 \$XXXX	715000922 \$XXXX
<b>5 TRAILING ARM PROTECTORS</b> • 1/8" (3 mm) thick lightweight and durable design. • Replace stock plastic protectors. • Sold in pairs.	715001129 \$XXXX	715001129 \$XXXX	715003741 \$XXXX	715003741 \$XXXX	-	-	715001129 \$XXXX	715003741 \$XXXX	715003741 \$XXXX
<b>6 REAR DIFFERENTIAL PROTECTORS</b> • 1/8" (3 mm) thick lightweight and durable design. • Replace stock plastic protector.	715000920 \$XXXX	715000920 \$XXXX	715000920 \$XXXX	715000920 \$XXXX	715000920 \$XXXX	715000920 \$XXXX	-	715000920 \$XXXX	715000920 \$XXXX
<b>7 REAR SKID PLATE</b> • 3/16" (4.5 mm) thick for durability and strength. • Must be installed with the central and front skid plates.	715002028 \$XXXX	715002029 \$XXXX	715002028 \$XXXX	715002029 \$XXXX	715002028 \$XXXX	715002029 \$XXXX	-	715002028 \$XXXX	715002029 \$XXXX

Some products shown may not be available or homologated in your country. Contact your BRP dealer for local details.



RENEGADE

# ALUMINUM SKID PLATES

Our Aluminum Plates are made with high strength 5052 H32 aluminum. A must-have for rugged terrain.



OFFER YOUR RENEGADE THE FULL PROTECTION KIT OR GET THEM INDIVIDUALLY

FIND YOUR MODEL YEAR AND PLATFORM

	G2S 2016 & PRIOR	G2S 2017-2018	G2S 2019
<b>ALUMINUM SKID PLATE PROTECTION KIT</b>	715002139 \$XXXX	715004201 \$XXXX	
<b>INDIVIDUAL ALUMINUM SKID PLATES</b>			
<b>1 A-ARM PROTECTORS</b>	715001667 \$XXXX	715001667 \$XXXX	-
<b>2 FRONT SKID PLATE</b> • 3/16" (4.5 mm) thick and die-formed for strength and durability. • Recessed bolt holes.	715000925 \$XXXX	715000925 \$XXXX	715000925 \$XXXX
<b>3 CENTRAL SKID PLATE</b> • 3/16" (4.5 mm) thick for durability and strength. • Drain holes to release water, mud and debris. • Allows access to oil drain plug.	715002078 \$XXXX	715002078 \$XXXX	715002078 \$XXXX
<b>4 FOOTWELL PROTECTOR PLATES</b> • 1/8" (3 mm) thick lightweight and durable design. • Drain holes to release water, mud and debris.	715001359 \$XXXX	715001359 \$XXXX	715001359 \$XXXX
<b>5 TRAILING ARM PROTECTORS</b> • 1/8" (3 mm) thick lightweight and durable design. • Replace stock plastic protectors.	715001129 \$XXXX	715003741 \$XXXX	-
<b>6 REAR DIFFERENTIAL PROTECTORS</b> • 1/8" (3 mm) thick lightweight and durable design.	715000920 \$XXXX	715000920 \$XXXX	715000920 \$XXXX
<b>7 REAR SKID PLATE</b> • 3/16" (4.5 mm) thick for durability and strength. • Must be installed with the central and front skid plates.	715002028 \$XXXX	715002028 \$XXXX	715002028 \$XXXX

Some products shown may not be available or homologated in your country. Contact your BRP dealer for local details.

## DURABILITY SLEEK ENOUGH TO WORK ALONGSIDE YOUR HERD

### COMPLETE RANCHER PROTECTION KIT

KIT INCLUDES:

- RANCHER FRONT BUMPER
- RANCHER REAR BUMPER
- BODY SIDE PROTECTOR

SEE P.32



CATCH THE VIDEO  
CAN-AMOFFROAD.COM



CATCH THE VIDEO  
CAN-AMOFFROAD.COM



**OUTLANDER**

# COMPLETE RANCHER PROTECTION KIT

- These heavy-duty bumpers and fender guard are designed to pull double duty: protect your ATV and anything it comes in contact with, while also enhancing the look of your ATV.
- Made tough and designed to deliver a rugged appearance, together they offer front, rear and full side protection for farmer, rancher and forestry applications.
- Requires Body Side Protector Extensions (715003460) for installation on MAX models.
- Not compliant with T-category vehicles.

**THIS KIT INCLUDES:**

- Rancher Front Bumper (715003461)
- Rancher Rear Bumper (715003462)
- Body Side Protector (715003459)

**G2, G2L (except X mr & 6x6 models)**

715003463

\$XXXX

**RANCHER FRONT BUMPER**

- The low front end protection and plates allow you to use your ATV within cattle herds and guard the safety of both the vehicle and the animals.
- The flat front portion facilitates gently prodding cattle or pushing light objects, e.g. closing a fence.
- The full frontage coverage extends to provide an extra layer of defense to your headlights and radiator.
- Inside and outside anti-corrosion coating with durable powder coat finish.
- Not compatible with track systems, plows and front hitch.
- Not compliant with T-category vehicles.

**G2, G2L (except X mr models)**

715003461

\$XXXX



**RANCHER REAR BUMPER**

- Ideal for using your ATV within cattle herds and guard the safety of both the vehicle and the animals.
- Coverage extends to provide an extra layer of defense to your tail lights.
- Inside and outside anti-corrosion coating with durable powder coat finish.
- Not compatible with track systems.
- Not compliant with T-category vehicles.

**G2, G2L (except 6x6 models)**

715003462

\$XXXX



**BODY SIDE PROTECTOR**

- Built of durably bold 1.25" (3 cm) diameter steel-tube construction, with inside and outside anti-corrosion coating with durable powder coat finish.
- XT Front and Rear Bumpers or Rancher Front and Rear Bumpers are required for installation.
- Requires Body Side Protector Extensions (715003460) for installation on MAX models.

**G2 with XT bumpers 2018 & prior or Rancher bumpers (except X mr & 6x6 models)**

715003459

\$XXXX

**G2L with XT bumpers (except X mr models)**

715003614

\$XXXX



**BODY SIDE PROTECTOR EXTENSIONS**

- This specially designed extension for the Body Side Protector is made specifically to fit and seamlessly integrate the look of Outlander MAX models.

**G2 MAX, G2L MAX**

715003460

\$XXXX

Some products shown may not be available or homologated in your country. Contact your BRP dealer for local details.

**OUTLANDER**

**XT FRONT BUMPER**

- Provides additional protection against the elements.
- Tough and durable, can be added on base Outlander model to convert vehicle into XT model.
- Standard on XT model.

**G2**

- Large tube construction with textured black finish and plastic corners.

715000947

\$XXXX

- Large tube construction with textured black finish and metal corners.

715004837 **NEW**

\$XXXX



**XT REAR BUMPER**

- Provides additional protection against the elements.
- Tough and durable, can be added on base Outlander model to convert vehicle into XT model.
- Standard on XT model.

**G2**

- Large tube construction with textured black finish and plastic corners.

715000948

\$XXXX

- Large tube construction with textured black finish and metal corners.

715004920 **NEW**

\$XXXX



**XT FRONT BUMPER**

- Large tube construction.
- Protects vehicle frame against obstacles.
- Winch compatible.

**G2L**

715001910

\$XXXX

**XT FRONT COUPLING DEVICE**

- (Not illustrated)
- Required for T3 models.

**T3**

705205025

\$XXXX



**XT REAR BUMPER**

- Large tube construction.
- Protects vehicle frame against the obstacles.

**G2L**

715001911

\$XXXX





**OUTLANDER**

**EXTREME FRONT BUMPER**

- Ultra-sturdy build.
- Enhances front-vehicle protection.
- Compatible with XT Front Bumper.
- Fits the Apache™ 360 Track System (when side panels are removed).
- Not compatible with Front Hitch.
- Not compliant with T-category vehicles.

**G2**  
 • Not compatible with Front Hitch.  
 715001286  
 \$XXX

**G2L**  
 715004279  
 \$XXX



715001286



715004279

Some products shown may not be available or homologated in your country. Contact your BRP dealer for local details.

**RENEGADE**

**RENEGADE EXTREME FRONT BUMPER**

- Enhanced vehicle front protection.
- Required as a mounting point for Radiator Relocator (715001929).

**G2S**  
 715002469  
 \$XXX



**MORE PROTECTION AND  
 ADDITIONAL STYLE  
 OUT OF YOUR RENEGADE**

**OUTLANDER**

**FENDER FLARES**

- Kit designed to deliver extra protection from dirt and debris, therefore a must if you enjoy riding in the mud.
- Made of injected plastic that hugs your vehicle fenders perfectly.
- Gives vehicle added flair for that rugged cool look.
- Includes front and rear extensions and all mounting hardware.

**G2 (except with 30" tires)  
 (except 6x6 models)**  
 715001764  
 \$XXX

**G2 (with 30" tires)  
 (except 6x6 models)**  
 • Standard on G2 X mr 1000R.  
 715004250  
 \$XXX

**G2L**  
 • Not compatible with T category.  
 715001909  
**G2L T category 2015 & up**  
 715004487 **NEW**  
 \$XXX



**NEW BODY SIDE PROTECTOR**

- The heavy-duty fender guard designed to pull double duty; protecting your ATV and also enhancing the look of your ATV.
- Made tough and designed to deliver a rugged appearance, this fender guard offers full side protection for farmer, rancher and forestry applications.
- Built of durably bold 1.25" (3 cm) diameter steel-tube construction, with inside and outside anti-corrosion coating with durable powder coat finish.
- New generation XT Front and Rear Bumpers are required for installation.
- Not compatible with Front and Rear Rancher bumpers.

**G2 with XT bumpers 2019 (except 6x6 models)**  
 715004940  
 \$XXX



**FENDER FLARE EXTENSIONS**

- Block terrain debris from kicking up onto you as you ride or damaging your vehicle thanks to these extra-large Fender Flare Extensions, which also include mud flaps for added protection from mud/snow, especially when riding with track kits.
- Made of High Molecular Weight Polyethylene (HMWPE) for advanced abrasion resistance.
- Include front and rear extensions.

**G2 (except 6x6 models)**  
 • Must be used with Fender Flare for G2 (715001764).  
 715005111  
 \$XXX

**G2L**  
 • Must be used with Fender Flare for G2L (715001909).  
 715003615  
 \$XXX



**RENEGADE**

**FENDER FLARES**

- Integrated extended Fender Flares for sporty look and full body protection from dirt and water.
- Include front and rear extensions and all mounting hardware.

**G2S (except X mr models)**  
 705012695  
 \$XXX



## OUTLANDER RENEGADE

### HEATED HAND GRIPS & THROTTLE COMBO

G2, G2L (Wiring Cable (710004567) required for installation), G2S (except 1000R and categorie T models)

715003250

For T3 models MY18.5

715004747

\$XXXX



MUST HAVE

- 1 LED dimmer facilitates reading temperature settings.
- 2 4 temperature settings with individual controls for thumb and grips. Returns to previous heat setting.
- 3 One-touch shutdown.

### NEW HEATED GRIPS & THUMB THROTTLE COMBO

• Compatible with Electronic Throttle Control (ETC)

2019 G2, G2S 1000R & 6x6 models only, 2019 T category models

715004815

\$XXXX

### WIRING CABLE

(Not illustrated)

• Required for installation of Heated Hand Grips & Throttle Combo.

G2L

710004567

\$XXXX

### ENGINE HEATER

(Not illustrated)

Outlander 500 / 570 / 650 / 800 (G1/G2)

605154278

\$XXXX

Outlander 1000 (G2)

715002043

\$XXXX

### TRAILER CONNECTOR SOCKET KIT

(Not illustrated)

G1

619400077

\$XXXX

G2

860200927

\$XXXX

## OUTLANDER RENEGADE

### HEATED VISOR OUTLET

- Strategically positioned on vehicle to maintain your agility.
- Optional visor outlet that delivers fog-free riding.
- Quick and easy installation.
- Sold individually.
- Heated Visor not included.

G2, G2L

715001246

\$XXXX

### NEW USB POWER OUTLET KIT

- Recharges your electronic devices while riding\* (smartphone, MP3, heating gear, etc.).
  - Dual port USB connectors.
  - Plug-and-play kit.
  - Simply connect under driver seat and use.
- \*The power outlet is not capable of recharging all device types while riding.

G2, G2L, G2S

219400510

\$XXXX



## OUTLANDER

### HEATED PASSENGER GRIPS & VISOR OUTLET

- Replace your stock passenger handles.
- Dual temperature switch integrated into seat arm for 3-zone heated handles and grips.
- Heated visor outlet integrated into seat arm.

G2, G2L (MAX models only)

715001926

\$XXXX

G2 (2013-2014) (MAX models only)

715002116

\$XXXX



### NEW BLUETOOTH HANDLEBAR SOUNDBAR BY MTX

- Bluetooth speaker with the unbeatable convenience of fingertip control.
- Rugged IP66-rated weather-resistant speaker designed for outdoor use.
- Driven by 150 watts of quality audio power.
- Seamless integration and operation from Bluetooth enabled devices.
- Includes: input, ground and ignition wires, plus auxiliary port and 3.5" connector cable.
- Note: We recommend you use 320 Kbps MP3 - 192-256 Kbps AAC or AIFF, WAV formats to match the potential of the speaker. More compressed formats will probably have degraded sound quality.

G2, G2L, G2S

219400840

\$XXXX



MUST HAVE

Some products shown may not be available or homologated in your country. Contact your BRP dealer for local details.



ALL LED LIGHTS ARE NOT CREATED EQUAL. BAJA DESIGNS LIGHTS ARE COVERED WITH A LIFETIME WARRANTY.



## OUTLANDER RENEGADE

### BAJA DESIGNS HIGH BEAM KIT

- Thanks to their direct bolt-on and plug-and-play installation right into the original high beam location, upgrading from your stock high beam lights to these powerful Baja Designs Squadron Pro LED Lights becomes child's play.
- Each spot is equipped with 4 Cree LEDs producing 4,900 lumens at 40 watts.
- Driving/Combo light pattern for smooth blend of light for both near field applications and distance.
- Not EC compliant.

G2

715004284

\$XXXX



**OUTLANDER RENEGADE**

**NEW MULTI POSITION LIGHT MOUNT KIT**

- Multi-position plastic clamps that fit on various tubing sizes: 0.75" to 1.5" (19 mm to 38 mm).
- Required for the installation of the 2" (5 cm) Square LED Lights (2 x 10W).
- Kit includes tube clamp mounts and power cables.

G2 (except X xc), G2L  
715004274

\$XXXX



**2" (5 CM) SQUARE LED LIGHTS (2 X 10 WATTS)**

- 2 x 900 lumens 10W LED Cree light kit.
- Long-range illumination up to 350' (107 m), drawing less than 1 amp per light.
- Multi-Position Light Mount Kit is required for installation.
- Not EC compliant.

G2 (except X xc), G2L  
715004293

\$XXXX



**RAM† LED SPOTLIGHT**

- 540 lumens LED light (9 Watt) heavy-duty spotlight standard-equipped with 1" (2.5 cm) diameter rubber-coated double ball and socket system.
- Not EC compliant.

G2, G2L, G2S  
710005423

\$XXXX



**AUXILIARY WINDSHIELD LIGHTING**

- 2 premium LED spots for Deluxe Fairing for both increased output and directional lighting.
- 1,800 lumens.
- 2 x 10W LED Cree light kit.
- Long-range illumination up to 350' (107 m), drawing less than 1 amp per light.

Deluxe fairing  
715003115

\$XXXX



**CENTER CONSOLE DAY LIGHT**

- Mountable on top end of center console.
- Enhances look of vehicle.

G2S (except X mr)  
715000691

\$XXXX



**GARMIN† MONTANA† 680T GPS**

- Rugged and waterproof, the Montana 680T is element-proof.
- 4-inch dual-orientation, sunlight-readable touchscreen and glove-friendly touchscreen display, to give you vivid colors and high-resolution images.
- 8-megapixel autofocus camera automatically geotags photos.
- Tracks both GPS and GLONASS satellites for improved positioning and typically faster fixes.
- Preloaded TOPO maps, plus 1-year BirdsEye Satellite Imagery subscription.
- 3-axis compass with barometric altimeter.
- Specific GPS cradle included (vehicle mounting kit required).
- Includes a preloaded map for US.

G2, G2L, G2S  
715002830

\$XXXX



**EUROPEAN VERSION**

- EC compliant.
- Includes preloaded European recreation map.

715003456

**GPS RAM MOUNT FOR HANDLEBAR**

- Convenient bracket for installing the Garmin Montana GPS (not included) onto your unit's handlebar.

G2, G2L  
715001985

\$XXXX



**OUTLANDER RENEGADE**

**NEW BATTERY CHARGER/MAINTAINER**

- Fully automatic 3 amp battery charger / maintainer.
- Keeps stored lead-acid batteries charged.
- Charges and maintains small batteries.
- Microprocessor controlled multi-stage charging for added precision, safety and battery life.
- Automatically detects 6 or 12 volt batteries.
- Float mode monitoring automatically maintains optimum battery charge.
- Reverse hook-up protection helps protect battery and charger from damage.
- Hook attachment hangs outside the work area for safety and convenience.
- Press the display button to show the charge progress.
- Energy efficient/eco friendly, meets the highest industry standards for energy efficiency.
- Content: 3 amp battery charger, clamp adapter, DC adapter, 24" (61 cm) fused ring leads harness with weather cap, owner's manual.
- US plug (110V).

715005061

\$XXXX



**NEW QUICK CONNECT BATTERY CABLE**

- (Not illustrated)
- Quickly and easily connect and charge different batteries with your charger.
- Included in the Battery Charger/Maintainer (715005061).
- Sold individually.

715005408

\$XXXX

**NEW JUMP STARTER**

- IPX3 water-resistant and enclosed output ports.
- 4 LED battery indicators for easy read on battery charge level.
- Compact design, will conveniently fit in your backpack, glove box or any other storage compartment.
- Quickly starts vehicles in emergencies.
- Great for powersport vehicles, motorcycles and 4 and 6 cylinder vehicles.
- 2.4A + 1A/5V USB ports for fast charging of all USB devices, including smartphones, MP3 players and tablets.
- Smart cable provides protection against reverse polarity, short circuit, low voltage, high temperature and reverse charging.
- Built-in LED light (3 modes).
- Content: 300CA jump starter, SA858 smart cable clamp, MC-USB to USB charging cable, travel bag, user manual.

715005062

\$XXXX



**CTEK BRP 5.0 BATTERY CHARGER**

- CTEK, the manufacturer of the smartest battery chargers in the world, has produced a BRP specific charger for all BRP products.
- Charger is built to meet the demanding arctic conditions.
- Ask your dealer for more information.

860200997

\$XXXX



Some products shown may not be available or homologated in your country. Contact your BRP dealer for local details.



BE READY FOR  
ANYTHING WITH  
THE RUGGED  
HEAVY-DUTY  
PULLING POWER  
OF A WINCH

## OUTLANDER RENEGADE

### WARN<sup>†</sup> PROVANTAGE

- Patented roller disc brake for outstanding control while winching.
- Ergonomic clutch handle.
- Three-stage planetary gear train for smooth, efficient operation.
- All-metal gear housing and gears.

- Fully sealed motor and drive train to keep the elements out.
- Corded remote and mini-rocker control switch with integrated socket.
- Limited lifetime warranty for mechanical components and 3-year warranty for electrical components.

- Mounting Plate (715000927) is required for G2S.
- Wire Harness (715002453) is required for G2L.
- EC compliant.

#### WARN PROVANTAGE 2500-S WINCH

- Double-powder-coated hawse fairlead.
- Pulling strength capability of 2,500 lb (1,134 kg).
- 50 ft. of 3/16" (15.2 m of 4.8 mm) synthetic rope.
- Mounting Plate (715000927) is required for G2S.
- Wire Harness (715002453) is required for G2L.

G2, G2L, G2S

715003472

\$XXX



#### WARN PROVANTAGE 3000 WINCH

- Roller fairlead.
- Pulling strength capability of 3,000 lb (1,361 kg).
- 50 ft. of 3/16" (15.2 m of 4.8 mm) wire steel cable.
- Mounting Plate (715000927) is required for G2S.
- Wire Harness (715002453) is required for G2L.

G2, G2L, G2S

715003474

\$XXX



#### WARN PROVANTAGE 3500-S WINCH

- Double-powder-coated hawse fairlead.
- Pulling strength capability of 3,500 lb (1,588 kg).
- 50 ft. of 3/16" (15.2 m of 4.8 mm) synthetic rope.
- Mounting Plate (715000927) is required for G2S.
- Wire Harness (715002453) is required for G2L.

G2, G2L, G2S

715003473

\$XXX



## OUTLANDER

### CAN-AM TERRA BY SUPERWINCH<sup>†</sup>

- Heavy-duty 4-way roller fairlead.
- Ergonomic clutch handle.
- Rugged all-steel gears and bushings, provides more torque and longer life.

- Automatic 100% load-holding brake.
- Sealed solenoid for all weather protection.
- Corded 10 ft. (3 m) weather sealed hand-held remote.

- Weather sealed handlebar mounted switch.
- EC compliant.

#### CAN-AM TERRA 25 WINCH BY SUPERWINCH

- Pulling strength capability of 2,500 lb (1,134 kg).
- 50 ft. of 3/16" (15.2 m of 4.8 mm) wire steel cable.

G2, G2L

715003475

\$XXX



#### CAN-AM TERRA 35 WINCH BY SUPERWINCH

- Pulling strength capability of 3,500 lb (1,588 kg).
- 50 ft. of 13/64" (15.2 m of 5.2 mm) wire steel cable.

G2, G2L

715003476

\$XXX



**OUTLANDER RENEGADE**

**WARN HAWSE FAIRLEAD**

- Double-powder-coated construction.
- Required to use the Synthetic Winch Cable (715004254) on Warn winches.
- To be used with synthetic winch cables only.

Warn winches  
715004255

\$XXXX



**WINCH MOUNTING PLATE**

- Adds functionality to your Renegade.
- Fits Can-Am winches by Warn.

G2S  
715000927

\$XXXX



**WINCH ACCESSORIES KIT**

- Get the most out of your winch.
- Double your pulling power, change your pulling direction and keep your winch in proper working order.
- Includes tree straps, snatch block, shackle and winching gloves.

715002409

\$XXXX



**WIRELESS REMOTE CONTROL**

- The system is quick and easy to install, thanks to a wiring harness with an integrated antenna and all necessary mounting hardware.
- The system allows you to operate your winch from anywhere within a 50' (15.2 m) radius, increasing your recovery options.
- All components are weatherproof.

Warn winches  
715002542

\$XXXX



**WIRED REMOTE CONTROL**

- This kit allows winch owners to add the hand-held remote to their winch.
- EC compliant.

For ATVs with handlebar winch remote socket.

710002270

ATVs without the winch remote Socket

- Side panel Remote socket (715003651) is required.
- EC compliant.

710001002

\$XXXX

Superwinch winches

710004887

\$XXXX



**ROLLER FAIRLEAD**

- Features top, bottom and side rollers for less cable wear and smoother operation from any direction for easier winching.

715000011 • Warn

\$XXXX

705204571 • Superwinch

\$XXXX



**HOOK WITH SAFETY LATCH & STRAP KIT**

- Heavy-duty winch-rope hook with stainless steel snap.
- Includes a nylon safety strap.

715003523

\$XXXX



**REPLACEMENT WIRE ROPE**

- Play it safe, always carry a replacement wire rope.
- 3,500 lb (1,588 kg) pulling strength.

ATV SuperWinch

- 50 ft. of 7/32" (15.2 m of 5.5 mm) wire rope.

705009321

\$XXXX

ATV Warn winches

- 50 ft. (15.2 m) aircraft grade steel wire.
- 3/16" (4.8 mm) diameter.

715000047

\$XXXX



**SYNTHETIC WINCH CABLE**

- Easier to manipulate than steel cable.
- Replaces the original cable on any factory installed Warn winch or sold as an accessory by BRP.
- Kit includes synthetic rope and rock guard sleeve.
- Always use with new hawse fairlead (715004255).
- 50 ft. (15.2 m).
- 3,500 lb (1,588 kg) pulling strength.

ATV Warn winches

715004254

\$XXXX



**WARN REMOTE SOCKET**

- (Not illustrated)
- Winch remote socket, located on side panel, is required for wired remote control.

715003651

\$XXXX

**WINCH WIRE HARNESS**

- (Not illustrated)
- Required plug-and-go wiring to install Warn winch only.
- Not required for Can-Am Terra winch.

G2L

715002453

\$XXXX

**HARDWARE ADAPTER KIT**

- (Not illustrated)
- Required to install Warn Winch Kit (715002500, 715002561, 715002499) on 2016 and up models.
- Required to install Can-Am Terra 25 Winch (715002167) and Can-Am Terra 35 Winch (715002057) on G2L 2017 and up models.

715003477

\$XXXX



**MULTITRAILER**

- Bogie wheels updated to be more silent than before and now equipped with grease nipples.
- Product developed for heavy-duty use.
- 100% galvanized steel.
- Specifications: 12 mm plywood base, strong stand, movable attachment points (4 pc), tipping bed, removable sides and 4 pc timber holder.
- Underside of the bogie and frame designed to travel over stones and logs (no sharp edges).
- Bed length: 182 cm
- Bed width: 66 cm bottom / 95 cm top
- Bed height: 60 cm
- Weight: 200 kg with timber holders and sides

619590024

\$XXXX

**SPARE WHEEL + RIM (DEESTONE) STANDARD FROM 7/2016**

(Not illustrated)

619590398

\$XXXX

**SPARE WHEEL + RIM (DURO)**

(Not illustrated)

619590119

\$XXXX

**TIMBER STICKS (2 PCS)**

(Not illustrated)

619590025

\$XXXX

**TIMBER WALL**

(Not illustrated)

619590026

\$XXXX

**TIMBER LOCKING SPRING**

(Not illustrated)

619600007

\$XXXX

**OUTLANDER RENEGADE**

**FRONT & REAR HITCH DRAWBAR**

- Standard on 2" (5 cm) receiver hitch.
- It offers 1,500 lb (680 kg) of towing capacity.
- Hitch ball not included.

G2, G2L, G2S

715000972

\$XXXX

European Version

- Drawbar with 2" (50 mm) hitch ball.

705206761 (T Homologated)



**RUBBER RECEIVER PLUG**

- Rubber cap for 2" (5 cm) hitch receiver.

705204503

\$XXXX



**REAR HITCH**

- E-coat finish.
- Fixed hitch ball mounting bracket.
- Provides fixed mounting point for trailer ball to provide vehicle with towing capabilities.

G2, G2L, G2S (except 6x6 models)

715001925

\$XXXX



- This hitch offers 1,300 lb (590 kg) of towing capacity.
- Hitch ball not included.

**OUTLANDER**

**FRONT RECEIVER HITCH**

- Front receiver hitch for Outlander with or without a winch.
- This hitch offers 1,300 lb (590 kg) of towing capacity.
- Allows you to maneuver your trailer easily in tight, confined areas.
- Hitch bar sold separately.
- Not compatible with Extreme Front Bumper and Rancher Bumper.

G2

715000921

\$XXXX



**HITCHES**

**REAR RECEIVER HITCH**

- E-coat finish.
- Does not affect ground clearance.
- Trailer ball not included.
- On 4X4 use, this hitch offers 1,500 lb (680 kg) of towing capacity.
- On 6X6 use, this hitch offers 1654 lb (750 kg) of towing capacity.
- Compliant with European T regulations.

G2S 2012 with 800R or 1000 engines, G2S 2013 & up, G2L

715005186

\$XXXX





**OUTLANDER**

**OUTLANDER RADIATOR RELOCATOR KIT**

- Relocates radiator to top mount position.
- Prevents cooling performance loss in muddy conditions.
- Uses existing radiator.
- Includes support, hardware and hoses.
- Engineered for easy cooling system bleeding and maintenance.
- Radiator not included.

G2, G2L  
715001930

\$XXXX



**OUTLANDER SNORKEL KIT**

- Comprehensive kit.
- Extended air intakes and CVT exhaust.
- CVT outlet integrates into pod cover.
- Must be installed on a vehicle without XT handlebar protector kit.
- Ideal for muddy conditions.
- For 6x6, appropriate gauge support is required for best fit and finish.
- Not compatible with windshields.

G2 2015-2019 only (except 1000R and T category models), G2L

715002392

\$XXXX

G2 (2012-2014 only)

715001730

\$XXXX



G2 (X mr models only), G2L (X mr models only)

- Raised horn only.
- Provides higher intake.
- For best fit and finish, appropriate gauge support is required.

715002518

\$XXXX

**X MR TRACTION PLATES**

- Provide extra foot grip for driver when riding in extreme mud conditions.
- Help driver to maintain ideal riding position to maximize vehicle traction.
- Made of aluminum.
- Not meant for a passenger.

G2, G2L (MAX models only)

715001752 - Aluminum

\$XXXX



**FOOTPEG KIT**

- Provides maximum integrated grip and more stability during vigorous riding.
- Kick-up end generates added grip during hard cornering.
- Made of aluminum.
- Sold in pairs.

G2, G2L

715001131

\$XXXX



**RENEGADE**

**RENEGADE SNORKEL KIT**

- Comprehensive kit.
- Extended air intakes and CVT exhaust.
- CVT outlet integrates into pod cover.
- Ideal for muddy conditions.

G2S 2015-2019 only (except 1000R and T category models)

715001928

\$XXXX



**ADAPTOR KIT**

(Not illustrated)

- Necessary to install the G2S Snorkel Kit (715001928) on 2012 to 2014 models.

G2S (for 2012-2014 models only)

715003122

\$XXXX

**RENEGADE RADIATOR RELOCATOR KIT**

- Relocates radiator to top mount position.
- Prevents cooling performance loss in muddy conditions.
- Uses existing radiator.
- Includes support, hardware and hoses.

G2S

715001929

\$XXXX



- Engineered for easy cooling system bleeding and maintenance.
- Radiator not included.
- Renegade Extreme Front Bumper (715002469) required for installation (except X mr).

**OUTLANDER RENEGADE**

**MUD STRAP**

- Convenient sturdy grab-handle.
- Lets drivers redistribute their weight for improved traction in demanding conditions.
- Not compatible with XT Handlebar Protector Kit (703100352).

G2, G2L, G2S

715003053

\$XXXX



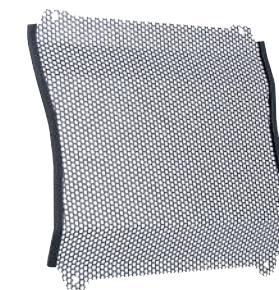
**RADIATOR PROTECTOR**

- Metal shield which mounts over radiator face, providing protection from stones and branches.

G2, G2S (except G2S with 500 engine)

715001744

\$XXXX







**YOSHIMURA GIVES YOU THE EDGE WITH MORE PERFORMANCE & LESS WEIGHT**



## YOSHIMURA SLIP-ON EXHAUST

- Better sounding, better looking and lighter than stock muffler.
- Made from 304-grade stainless steel.
- NON EPA compliant (for racing application only).
- Fuel injection system tuning not required.
- USDF/USDA approved spark arrester.
- Not EC compliant.
- Does not fit T3 units

### OUTLANDER

#### YOSHIMURA SLIP-ON EXHAUST

G2 2017 & prior (except 6x6 models)  
715001738

\$XXXX

G2 2018 & up (except 6x6 models)  
715005480

\$XXXX



### RENEGADE

#### YOSHIMURA SLIP-ON EXHAUST

G2S 2017 & prior (except 570 engine and X mr models)  
715001739

\$XXXX

G2S 2018 & up (except 570 engine and X mr models)  
715005481

\$XXXX



### OUTLANDER RENEGADE



#### FOX SHOCKS

- Engineered for the more aggressive riders.
- Offers increased bump absorption and better roll control.
- Offers a slightly firmer ride than standard kits but remains very useable for all-around use.
- Kit includes 4 shocks and springs.
- Rebuildable.
- Threaded preload adjusters.

G2 2012-2018 (except X mr, XT-P, Limited & 6x6 models), G2 X mr 650 (2012-2018), G2S (Base model with 500 & 570 only), G2L & G2L MAX

715001471

\$XXXX



#### FOX PERFORMANCE SHOCKS 1.5 PODIUM X RC2 HPG

- High-performance front and rear shocks.
- Allow handling to readily adapt to terrain and riding style.
- Easy-adjust dual-speed compression, rebound and preload settings.
- Standard on G2S X xc.

G2 2012-2018 (except X mr, Limited & 6x6), G2 X mr 650 & G2S (Base model & X mr 570 only)

715003201

\$XXXX



#### HEAVY-DUTY SPRINGS

- Heavy-duty springs provide enhanced stiffness.
- Perfect for snow clearing and hauling heavy loads.
- Improves handling and helps prevent accidental overturns.
- Sold in pairs.
- Standard on Outlander Pro and Mossy Oak models.

G2 2012-2018 (Base model, DPS, XT, X mr with 650 engine only & Limited), G2S (Base model with 500 & 570 engines only)

FRONT  
715003199

\$XXXX

G2 2012-2018 (Base model, DPS, XT & X mr with 650 engine only), G2S (Base model with 500 & 570 engines only)

REAR  
715003200

\$XXXX



Front



Rear

#### EXTREME HEAVY DUTY REAR SPRING SET FOR OUTLANDER G2

(Not illustrated)

- E.g. for use with Forest Pro Log Trailer.

715001998

\$XXXX

#### FRONT SHOCK COVERS

- Feature ventilation holes.
- Offer added protection in rough terrain and weather conditions.
- Sold in pairs.

G2, G2L, G2S

715500301

\$XXXX



#### FOAM AIR FILTER BYTWINAIR†

- Maximizes performance by increasing air flow throughout RPM range.
- Maintenance-friendly, i.e. just wash, re-oil and re-use after riding in severely dusty/muddy environments.

G2, G2S

715001333

\$XXXX



Some products shown may not be available or homologated in your country. Contact your BRP dealer for local details.

## TRAILERING COVERS

- Heavy-duty canvas made of UV-resistant solution-dyed polyester.
- Inner soft liner protects windshield and colored panels from abrasion.
- All high-abrasion areas are reinforced with a double canvas layer.
- Opening for fuel cap access.
- Weather-resistant trailering cover protects your vehicle during transportation.
- Quick and easy installation.
- Designed to perfectly fit your vehicle with or without Can-Am accessories.

G2 (except MAX models)

715001737

\$XXXX

G2 (MAX models only)

715001736

\$XXXX

G2L (except MAX models)

715002026

\$XXXX

G2L (MAX models only)

715002025

\$XXXX

G2S (except Xmr models)

715000683

\$XXXX



## STORAGE COVERS

- Weather-resistant storage cover.
- For vehicle storage only.
- UV-resistant solution-dyed polyester construction.
- Quick and easy installation.
- Designed to perfectly fit your vehicle with or without Can-Am accessories.

G2 Xmr (except 1000R), G2L Xmr, G2S, G2S Xmr

715001720

\$XXXX

G2 MAX, G2L MAX, G2 Xmr 1000

715001668

\$XXXX

G2L (except MAX models)

715001916

\$XXXX

G2L (except MAX models)

715001597 • Mossy Oak Break-Up Country Camo

\$XXXX

G2L (MAX models only)

715001735 • Mossy Oak Break-Up Country Camo

\$XXXX



## BOLT-ON<sup>†</sup> RETRACTABLE RATCHETING TIE-DOWNS

- Perfect for transporting your powersport vehicle or securing loads.
- Mounts easily. Bolts on any flat surface (e.g. truck bed or frame).
- 1" x 6' (2.5 cm x 1.8 m) tie-down strap with heavy-duty stitching that delivers a 500 lb (226 kg) working load strength and 1500 lb (680 kg) break strength.
- Convenient retractable push button automatically slackens, spools and stores away strap, while the ratchet mechanism tightens the strap snugly to secure your vehicle or load into place.
- Rubber ratcheting handle provides firm grip, and the hook is vinyl coated to protect whatever surface it hooks into.
- Sold in pairs.

295100737

\$XXXX



## RATCHET TIE-DOWNS

- 400 lb (181 kg) safe working load.
- 1" x 10' (2.5 cm x 3 m) strap with Sea-Do, Ski-Doo and Can-Am logos.
- Deluxe ratchet with rubber handle.
- Coated S hooks.
- Pack of 2.

860200447 • Black/Grey

\$XXXX



## FLAG

- Make sure everyone knows what you're riding.
- Perfect for the dunes and new riders.
- 8-foot (2.4 m) length.
- Includes flag mount (715000127).

715000277 • Yellow

\$XXXX



## FLAG MOUNT

715000127

\$XXXX

## CUP HOLDER

- Mounts easily to handlebars or racks.

715000121

\$XXXX



## LOCKABLE GAS TANK CAP

- Protects your fuel.
- Meets EPA requirements.

G2, G2L, G2S

860200387 • Black

619590085 • (for Scandinavia)

\$XXXX



## LICENSE PLATE BRACKET

- Provides specific area to install license plate.
- Mounts to rear of vehicle.

G2L

715002498

\$XXXX

G2S

715001401

\$XXXX



## DECAL

- 6" x 12 3/4" (15 cm x 32 cm).

704901483

\$XXXX



Some products shown may not be available or homologated in your country. Contact your BRP dealer for local details.



# APACHE TRACK SYSTEMS TAKE ON THE TOUGHEST CONDITIONS, YEAR ROUND.

Highly engineered track system provides ultimate traction in harsh conditions for your Can-Am vehicle.

Heavy-duty components ensure reliability and the design offers excellent acceleration, turning, braking and side-hilling performance.

An innovative DPS module ensures speedometer accuracy and optimized steering assist for use with tracks, which make for perfect control and riding ease.

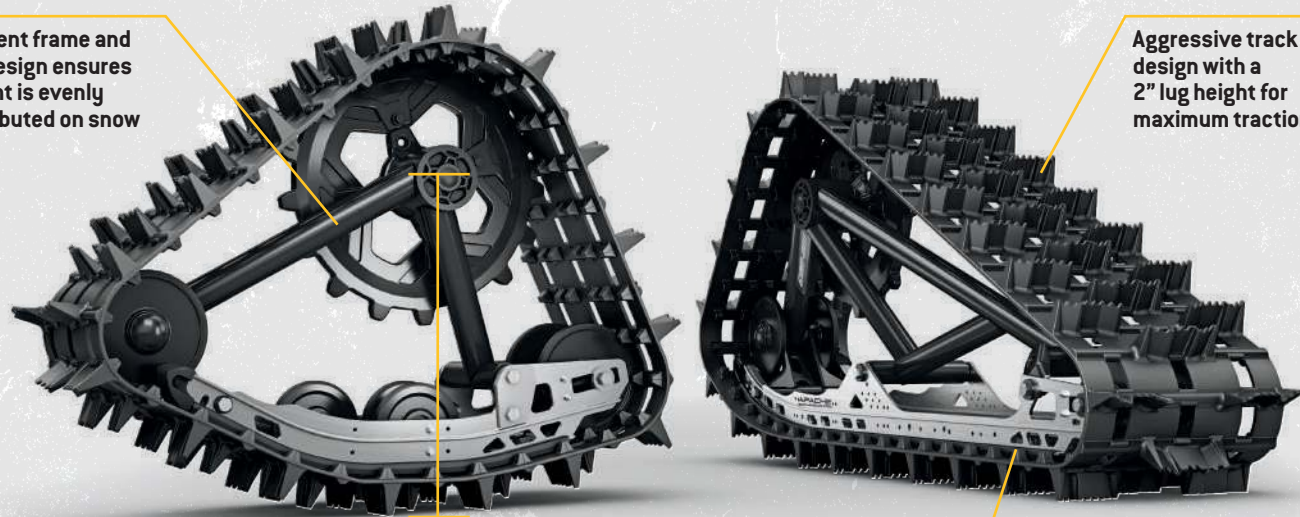
	MODEL	TRACK MOUNT KIT	TRACK DPS MODULE*	TRACKS
APACHE 360	G2, G2S 2018 & prior, G2L	715004829	715005243	715005240
	G2, G2S 2019	715004795	1000R models: 715004707 Everything else: 715005243	
APACHE 360 LT	G2, G2S 2018 & prior, G2L	715004829 PLUS: 715003063 (adaptor)	715005243	715003064
	G2, G2S 2019	715004795 PLUS: 715003063 (adaptor)	1000R models: 715004707 Everything else: 715005243	715005103
	G2 6x6 models 2018 & prior G2 6x6 models 2019	715004991 715005105	715005243	715005104
APACHE BACKCOUNTRY	G2, G2S 2018 & prior, G2L	715004830	715005243	715003042
	G2, G2S 2019	715004796	1000R models: 715004707 Everything else: 715005243	

\*Track DPS module not sold in Europe

## APACHE BACKCOUNTRY TRACK SYSTEM

Efficient frame and rail design ensures weight is evenly distributed on snow

Aggressive track design with a 2" lug height for maximum traction



Added ground clearance of 7" (18 cm)

Largest contact patch anywhere: 23% more than the Apache 360 LT

Quick & easy installation

OUTLANDER RENEGADE

### APACHE™ BACKCOUNTRY TRACK SYSTEM

- Designed to deliver the best flotation level and deep-snow performance on the market.
- Contact patch is 23% bigger than the Apache 360 LT.
- Impressive added ground clearance of 7" (18 cm), keeps the vehicle out of deep snow.
- Aggressive track design with 2" (5 cm) lug height for maximum traction on snow.
- Apache Backcountry Mounting Kit and engine and CVT air intake pre-filters are required.
- For winter use only.

G2 (except 6x6 models), G2S, G2L  
715003042

\$XXXX

## WINTER TRACKS

Can-Am's new APACHE BACKCOUNTRY TRACK SYSTEM is the perfect fusion of BRP's renowned snowmobile and innovative Apache 360 Track System technologies. It delivers the highest ground clearance, the most flotation, and the best deep-snow performance of any ATV track kit on the market today. Period. An efficient frame and rail design ensures weight is spread evenly on snow so you always enjoy higher traction, remarkable acceleration, turning, braking and side-hilling. And it's the only kit available with a 13.5" X 96" [34 cm x 244 cm] front track / 14" X 138" [36 cm x 351 cm] rear track, which adds up to the largest contact patch anywhere.

### APACHE BACKCOUNTRY MOUNTING KIT

- (Not illustrated)
- Required for installation of the Apache Backcountry Track System.
- DPS module and pre-filter are required and sold separately.

G2 2018 & prior, G2S 2018 & prior, G2L  
715004830

\$XXXX

G2 2019, G2S 2019  
715004796

\$XXXX

### IDLER WHEEL KIT

- Reduces drag and rolling resistance.
- Includes 2 wheels, brackets and hardware.
- Add up to 2 kits per rear track.
- Can extend slider life in hardened snow conditions.

Apache Backcountry Track System (rear tracks only)  
860201230 - 141 mm

\$XXXX



### TRACK DPS MODULE

- (Not illustrated)
- An innovative DPS module that ensures speedometer accuracy and optimized steering assist, which make for perfect track control and riding ease.
- Required to install the Apache Track Systems.
- Not sold in Europe.

G2 2018 & prior, G2 2019 (except 1000R models), G2S 2018 & prior, G2S 2019 (except 1000R models), G2L, 6x6  
715005243

\$XXXX

G2 2019 (1000R models), G2S 2019 (1000R models)  
715004707

\$XXXX

### SLIDERS WITH VESPEL<sup>†</sup> INSERTS

- Use DuPont Vespel inserts for less friction.
- Longer life.
- Can be cut to desired length.
- 8 needed per vehicle.
- Sold individually.

Apache Backcountry Track System  
503194815

\$XXXX



## APACHE 360 LT TRACK SYSTEM

Ground surface area is 7 to 9% larger than the Apache 360's



## APACHE 360 TRACK SYSTEM

Rubber over molded heavy-duty double bearing wheels and offset wheel spacing reduce friction and vibration while ensuring reliability



Added ground clearance of 4.5" (11.4 cm)

Total ground surface area: 2079.7 in<sup>2</sup>



Unique adjustable contact patch system to tackle the toughest year-round conditions



Quick & easy installation

### AIR INTAKE PRE-FILTER

- Adds extra protection for your engine in harsh riding conditions.
- Filter blocks particles larger than 0.005".
- Necessary to maintain vehicle warranty when tracks are installed.

G2, G2L, G2S  
715004729

\$XXXX

### CVT AIR INTAKE PRE-FILTER

- Adds extra protection to your engine in harsh riding conditions.
- Helps keep air filter cleaner.
- Filter blocks particles larger than 0.007" (0.19 mm).
- Easy, tool-less installation.
- Necessary to maintain vehicle warranty when tracks are installed.
- Standard on Outlander 650, 850, 1000, 1000R engines & G2L PRO.

715003483

\$XXXX



## YEAR-ROUND TRACKS

The 360 LT AND APACHE 360 TRACK SYSTEMS offer a unique adjustable contact patch designed to take on the toughest year-round conditions. Their built-in versatility lets you optimize attack angle for rough terrain or deep-snow operation. Ideal in softer spring thaw conditions, they deliver enhanced ground adhesion, making them a favorite for navigating swamps and bogs.

### APACHE 360 LT TRACK SYSTEM

- Multifunctional tracks designed to support heavy loads and to fit on most Can-Am off-road vehicles.
- Extra contact patch adjustment for better performance over rough terrain.
- Contact patch is 7 to 9% bigger than the Apache 360's.
- Average ground clearance increase of 4.5" (11.44 cm).
- 1" (2.5 cm) lugs in the front and 1.25" (3.2 cm) in the back.
- Apache 360 and 360 LT Mounting Kit and engine and CVT air intake pre-filters are required.

G2 (except 6x6 models), G2S 2019  
715005103

\$XXXX

G2, G2S 2018 & prior (except 6x6 models), G2L  
715003064

\$XXXX

### APACHE 360 TRACK SYSTEM

- Multifunctional tracks perfect for any Can-Am ATV.
- Average ground clearance of 16" (41 cm).
- 1" (2.5 cm) lugs in the front and 1.25" (3.2 cm) in the back.
- Apache 360 & 360 LT Mounting Kit and engine and CVT air intake pre-filters are required.

G2 (except 6x6 models), G2L, G2S  
715005240

\$XXXX

### APACHE 360 & 360 LT MOUNTING KIT

- (Not illustrated)
- Required to install Apache 360 & 360 LT Track Systems.
- Requires Apache 360 LT ATV Adaptor (715003063) for installation of the Apache 360 LT Track System.
- DPS module and Pre-Filter not included.

G2 2018 & prior (except 6x6 models), G2S 2018 & prior, G2L  
715004829

\$XXXX

G2 2019 (except 6x6 models), G2S 2019  
715004795

\$XXXX

### APACHE 360 LT ADAPTOR

- (Not illustrated)
- Required to install an Apache 360 LT Track System.
- Apache 360 and 360 LT Mounting Kit also required.

G2 (except 6x6 models), G2S, G2L  
715003063

\$XXXX

Some products shown may not be available or homologated in your country. Contact your BRP dealer for local details.



**CAN-AM  
PROMOUNT PLOWS  
ARE COMPETITIVE,  
RUGGED AND  
EFFECTIVE**

#### WINTER PRO V2

- With the Winter Pro snowblower, winter house chores become fast and easy.
- Winter Pro is designed and built for Scandinavian conditions, and it boasts several innovative features that will make your life easier.
- The Easy Connect Pro link system makes attaching your ATV onto the snowblower child's play. All you need is a trailer hitch on your ATV.
- The electric starter, joystick to steer the chute, dual stage auger, and work light (sold as a separate accessory) elevate this snowblower to a professional grade winter-time tool.
- The scraper bar height is easily adjustable with the help of the skid shoes.
- Also, the bar is fastened onto a boxed steel construction, thus adding to the snowblower's overall rigidity.
- The 24hp Honda V2 engine is engineered and crafted to withstand the toughest Nordic conditions.

619590291

\$XXXX

#### WINTER PRO WIDENING KIT

(Not illustrated)

619590127

\$XXXX

#### WINTER PRO DRIFT CUTTER KIT

(Not illustrated)

619590124

\$XXXX

#### WINTER PRO HEADLIGHT KIT

(Not illustrated)

619590130

\$XXXX

#### WINTER PRO GAS TANK KIT

(Not illustrated)

619590126

\$XXXX

#### SHEAR BOLTS

(Not illustrated)

- (1 pack/10 pcs)

619590146 • For auger

619590148 • For fan

\$XXXX

#### FLEXEL TYRE WITH RIM - UNBREAKABLE

(Not illustrated)

619590192

\$XXXX

#### WINTER PRO SUBFRAME EXTENSION

(Not illustrated)

619590128

\$XXXX

#### WINTER PRO OIL FILTER

(Not illustrated)

• For Honda motors.

619590335

\$XXXX



The all-new Can-Am ProMount Plow Kits are here to take on winter. Whether it's a large commercial lot or a short driveway, this is how to get the job done right. Better, simpler, and with the same Can-Am reliability and durability you expect.

# NEW CAN-AM PROMOUNT PLOW SYSTEM

OUTLANDER RENEGADE

## CAN-AM PROMOUNT FLEX2 60" (152 CM) PLOW KIT

G2, G2S, G2L  
 ■ 715005202 - Black  
 \$XXXX



- KIT INCLUDES:**
- Can-Am ProMount Flex2 60" (152 cm) Blade 715004203 - Black
  - Can-Am ProMount Push Frame with Quick-Attach System 715004339 *Also sold individually on p.56*
  - Can-Am ProMount Mounting Plate 715004338 *Also sold individually on p.56*

### ALSO SOLD INDIVIDUALLY: CAN-AM PROMOUNT FLEX2 60" (152 CM) BLADE

- Plow blade made of UHMWPE, flexible and impact absorbing material prevents damaging your plow when accidental impact occurs.
- Blade swivels left or right, 5 positions.
- Large pin designed for easy blade rotation to eliminate dirt and snow buildup at pivot point.
- Blade design provides best snow/dirt roll-off at any angle.
- Compatible with Can-Am ProMount Blade accessories to further enhance plow versatility.
- Clears 54" (137 cm) when plow is fully angled.
- Blade height of 17" (43 cm).

■ 715004203 - Black  
 \$XXXX



OUTLANDER RENEGADE

## CAN-AM PROMOUNT STEEL 60" (152 CM) PLOW KIT

G2, G2S, G2L  
 ■ 715005201 - Black  
 ■ 715005434 - Yellow  
 \$XXXX



- KIT INCLUDES:**
- Can-Am ProMount Steel 60" (152 cm) Blade 715004202 - Black or 715005317 - Yellow
  - Can-Am ProMount Push Frame with Quick-Attach System 715004339 *Also sold individually on p.56*
  - Can-Am ProMount Mounting Plate 715004338 *Also sold individually on p.56*

### ALSO SOLD INDIVIDUALLY: CAN-AM PROMOUNT STEEL 60" (152 CM) BLADE

- Plow blade made from 12-gauge steel.
- Replaceable wear blade.
- Blade swivels left or right, 5 positions.
- Large pin designed for easy blade rotation to eliminate dirt and snow buildup at pivot point.
- Blade design provides best snow/dirt roll-off at any angle.
- Compatible with Can-Am ProMount Blade accessories to further enhance plow versatility.
- Clears 54" (137 cm) when plow is fully angled.
- Blade height of 17" (43 cm).

■ 715004202 - Black  
 ■ 715005317 - Yellow  
 \$XXXX



## CAN-AM PROMOUNT STEEL 54" (137 CM) PLOW KIT

G2, G2L, G2S  
 ■ 715005200 - Black  
 ■ 715005428 - Yellow  
 \$XXXX



- KIT INCLUDES:**
- Can-Am ProMount Steel 54" (137 cm) Blade 715004472 - Black or 715005316 - Yellow
  - Can-Am ProMount Push Frame with Quick-Attach System 715004339 *Also sold individually on p.56*
  - Can-Am ProMount Mounting Plate 715004338 *Also sold individually on p.56*

### ALSO SOLD INDIVIDUALLY: CAN-AM PROMOUNT STEEL 54" (137 CM) BLADE

- Plow blade made from 12-gauge steel.
- Replaceable wear blade.
- Blade swivels left or right, 5 positions.
- Large pin designed for easy blade rotation to eliminate dirt and snow buildup at pivot point.
- Blade design provides best snow/dirt roll-off at any angle.
- Not compatible with ProMount Drift Cutters and Blades Extensions.
- Clears 50" (127 cm) when plow is fully angled.
- Blade height of 14.75" (37 cm).

■ 715004472 - Black  
 ■ 715005316 - Yellow  
 \$XXXX



## CAN-AM PROMOUNT STEEL 66" (168 CM) PLOW KIT

G2, G2L, G2S  
 ■ 715005427 - Black  
 ■ 715005435 - Yellow  
 \$XXXX



- KIT INCLUDES:**
- Can-Am ProMount Steel 66" (168 cm) Blade 715004473 - Black or 715005318 - Yellow
  - Can-Am ProMount Push Frame with Quick-Attach System 715004339 *Also sold individually on p.56*
  - Can-Am ProMount Mounting Plate 715004338 *Also sold individually on p.56*

### ALSO SOLD INDIVIDUALLY: CAN-AM PROMOUNT STEEL 66" (168 CM) BLADE

- Plow blade made from 12-gauge steel.
- Replaceable wear blade.
- Blade swivels left or right, 5 positions.
- Large pin designed for easy blade rotation to eliminate dirt and snow buildup at pivot point.
- Blade design provides best snow/dirt roll-off at any angle.
- Compatible with Can-Am ProMount Blade accessories to further enhance plow versatility.
- Clears 60" (152 cm) when plow is fully angled.
- Blade height of 17" (43 cm).

■ 715004473 - Black  
 ■ 715005318 - Yellow  
 \$XXXX



Can-Am ProMount Steel 54" (137 cm) Plow Kit

### THERE'S A PLOW FOR EVERY TYPE OF USER AND EVERY TYPE OF USE.

- > Flexible and built to last, the **Can-Am ProMount Flex2 Blade** is the perfect solution for driveways, storefronts and any area that needs clearing quickly and efficiently.
- > Those looking for a range of widths will appreciate the no-nonsense practicality of our **Can-Am ProMount Steel Blades**. Each is designed to put competing plows to shame and both are every bit as tough as the road is long.

Some products shown may not be available or homologated in your country. Contact your BRP dealer for local details.



**BUILT FOR SIMPLICITY.**  
**ONE PUSH FRAME & MOUNTING KIT FITS ALL!**

**OUTLANDER RENEGADE**

**NEW CAN-AM PROMOUNT MOUNTING PLATE & PUSH FRAME**

The all-new Universal Push Frame and Plow Mounting Kit offers seamless compatibility between our next-generation plastic and steel blades and our ATV models.

**CAN-AM PROMOUNT MOUNTING PLATE**

- Required to install the Can-Am ProMount Push Frame with Quick-Attach System.
- Mounting plate precision-designed to stay on year round without compromising ground clearance.

G2, G2L, G2S  
 715004338

\$XXXX



**CAN-AM PROMOUNT PUSH FRAME WITH QUICK-ATTACH SYSTEM**

- Heavy-duty steel tubes designed to withstand the roughest use.
- Mid-mount carriage provides ultimate push strength and traction.
- Allows 14" (36 cm) of plow lift.
- Features a self-aligning quick-attach system, an easy foot release pedal and an ergonomic handle for plow angle adjustment.
- Compatible with all Can-Am ProMount Blades.
- Plow Roller Fairlead and Plow Limit Switch recommended to extend winch cable lifespan.
- Can-Am ProMount Mounting Plate required for installation.

G2, G2L, G2S  
 715004339

\$XXXX



**CAN-AM PROMOUNT PUSH FRAME EXTENSION**

- 12" (30 cm) push frame extension required when plow is installed with Apache Track systems.

G2, G2L, G2S  
 715004204

\$XXXX



**PLOW ACCESSORIES**

**OUTLANDER RENEGADE**

**NEW CAN-AM PROMOUNT EDGE MARKERS**

- Help locate the edges of your plow.
- Height: 24" (60 cm).
- Sold in pairs.

G2, G2L, G2S  
 715004206

\$XXXX

**NEW CAN-AM PROMOUNT DRIFT CUTTERS**

- Help keep snow in the plow.
- Dimensions: 17" x 13" (43.2 cm x 33 cm).
- Sold in pairs.
- Compatible with Can-Am ProMount Blades with or without blade extensions (except for the Can-Am ProMount Steel 54" (137 cm) Blades).

G2, G2L, G2S  
 715004207

\$XXXX

**NEW PLOW LIMIT SWITCH**

- (Not illustrated)
- For controlling the cable tension when over raising your plow system.
- Prevents winch, plow push frame and vehicle damage.

G2, G2L, G2S  
 715004775

\$XXXX

**NEW CAN-AM PROMOUNT BLADE EXTENSIONS**

- These conveniently extend your Can-Am ProMount Blade.
- Add 3" (8 cm) each side.
- Compatible with Can-Am ProMount Blades (except for the Can-Am ProMount Steel 54" (137 cm) Blades).
- Longer Wear Blade can be installed to go over the extra length given by the extensions.

G2, G2L, G2S

715004205 • Black

715005319 • Yellow

\$XXXX



**NEW PLASTIC WEAR BLADE**

- Ideal to prevent leaving marks on your driveway.

G2, G2L, G2S

Can-Am ProMount 54" (137 cm) Plastic Wear Blade

715004480

\$XXXX

Can-Am ProMount 60" (152 cm) Plastic Wear Blade

715004481

\$XXXX

Can-Am ProMount 66" (168 cm) Plastic Wear Blade

715004482

\$XXXX

**SYNTHETIC WINCH CABLE FOR PLOWING**

- Specially designed for plowing applications.
- 8' (2.4 m) section of durable, extra-strong synthetic rope.
- Stands up to repeated, sharp angle pulls used to lift heavy plow blades.
- Temporarily replace your winch rope for plow season to save wear and tear on wire rope.

715000540

\$XXXX



**PLOW ROLLER FAIRLEAD**

- Larger diameter lower roller reduces wear on wire rope for plow application.
- For use with snow plows.

G2, G2S, G2L  
 705009222

\$XXXX



**PULLEY KIT**

- Pulley kit to be used in conjunction with the winch when using a snow plow.
- Recommended to increase winch efficiency.
- To be used with the XT Front Bumper.

715000279

\$XXXX



**REAR TIRE CHAINS**

- Improve your traction in mud and snow.
- Sold in pairs.

26" x 10" x 12"  
 715000218

\$XXXX

25" x 10" x 12"  
 27" x 9" x 14"  
 715000225

\$XXXX



Some products shown may not be available or homologated in your country. Contact your BRP dealer for local details.



**HIGHLY ENGINEERED APACHE 360 LT TRACK SYSTEM PROVIDES ULTIMATE TRACTION IN HARSH CONDITIONS FOR YOUR OUTLANDER 6X6**

#### APACHE 360 LT TRACK SYSTEM

- Exclusively for the Outlander 6x6.
- Enjoy superior acceleration, turning, braking, and side-hilling.
- Switch easily between enhanced attack angle or improved flotation.
- For winter use only.
- EC compliant.
- Reliable heavy-duty build.
- Can-Am designed technology.

**G2 (6x6 models only)**

715005104

\$XXXXX



#### NEW APACHE 360 LT MOUNTING KIT

- (Not illustrated)
- Required for installation of the Apache 360 LT Track System.
- Track DPS module and Pre-Filter not included.

**G2 (6x6 models 2018 & prior)**

715004991

**G2 (6x6 models 2019)**

715005105

\$XXXXX

#### NEW TRACK DPS MODULE

- (Not illustrated)
- Innovative DPS module that ensures speedometer accuracy and optimized steering assist, which make for perfect track control and riding ease.
- Required to install the Apache Track Systems.
- Not sold in Europe.

**G2 (6x6 models only)**

715005243

\$XXXXX

**QUICKLY & SAFELY CONVERT YOUR BED TO HAUL TIMBER FROM THE BUSH**



#### LOG BARS

- Log bars allow you to convert the cargo bed into a perfect transport space for 4' (120 cm) timber.
- The driver's safety is guaranteed by the protective front screen.

**G2 (6x6 models only)**

715002486 • Latin America/Asia Pacific

715001987 • Europe

\$XXXXX



#### HARD TOP

- The hard top provides a 116 Gal (440L) cargo box.
- Locking secures your belongings.
- The cover raises assisted by gas cylinders.

**G2 (6x6 models only)**

715002490 • Latin America/Asia Pacific

715002394 • Europe

\$XXXXX



#### SIDE WALLS AND TAIL GATE

- Allows for a quick and easy conversion of the cargo bed into a trunk with plenty of room.
- Rotationally molded walls provide extreme durability for hard work - in all conditions.

**G2 (6x6 models only)**

715002868 • Latin America/Asia Pacific

715005153 • Europe

\$XXXXX



**TAILGATE EXTENSION/DIVIDER**

- The sturdy tailgate extension provides a 10" (25 cm) extension to the cargo space.
- Thanks to the longer cargo bed, even large loads pose no problem.
- With the help of LinQ quick locks, the extension also acts as a solid space divider for the cargo bed.

**G2 (6x6 models only)**  
 715002488 - Latin America/Asia Pacific  
 715002017 - Europe

\$XXX



**18 GAL (70L) UTILITY BOX**

- Wherever you go and whatever you do, this handy 18 Gal (70L) utility box is your mobile storage.
- The lid keeps your equipment safe from the elements in all conditions.
- Slides under the flatbed with handles for easy access.

**G2 (6x6 models only)**  
 715002487 - Latin America/Asia Pacific  
 715001999 - Europe

\$XXX



**TARPAULIN**

- Fitted to cover all of the items in your cargo box thoroughly.
- Prevents splash from entering cargo box.
- Easily removable for quick access.

**G2 (6x6 models only)**  
 715002491 - Latin America/Asia Pacific  
 715002416 - Europe

\$XXX



**FLATBED PROTECTION TUBES**

- Bolt-on bumpers for the sides of the 6x6 flatbed.
- Protects the exterior plastic components of the flatbed from rocks, trees and other obstacles when traversing enclosed areas or loading cargo onto the bed.

**G2 (6x6 models only)**  
 715002489 - Latin America/Asia Pacific  
 715002030 - Europe

\$XXX



**TAILGATE LIMITER KIT**

- 2 L-shape brackets that hold the tailgate open horizontally.
- Keeps tailgate flush with the rest of the flatbed for longer oversized cargo.

**G2 (6x6 models only)**  
 715002534 - Latin America/Asia Pacific  
 715002080 - Europe

\$XXX



**CARGO BOX NET**

- Solid net designed to hook to the bottom of the cargo box for secure and compact confinement of your cargo.

**G2 (6x6 models only)**  
 715001371

\$XXX



**STORAGE COVER**

- (Not illustrated)
- For storage use only.
- Heavy-duty elastic cord around bottom for secure fit.
- 100-denier polyester construction.
- Fits with or without windshield and mirrors.

**G2 (6x6 models only)**  
 715002492 - Latin America/Asia Pacific  
 715002415 - Europe

\$XXX

Some products shown may not be available or homologated in your country. Contact your BRP dealer for local details.



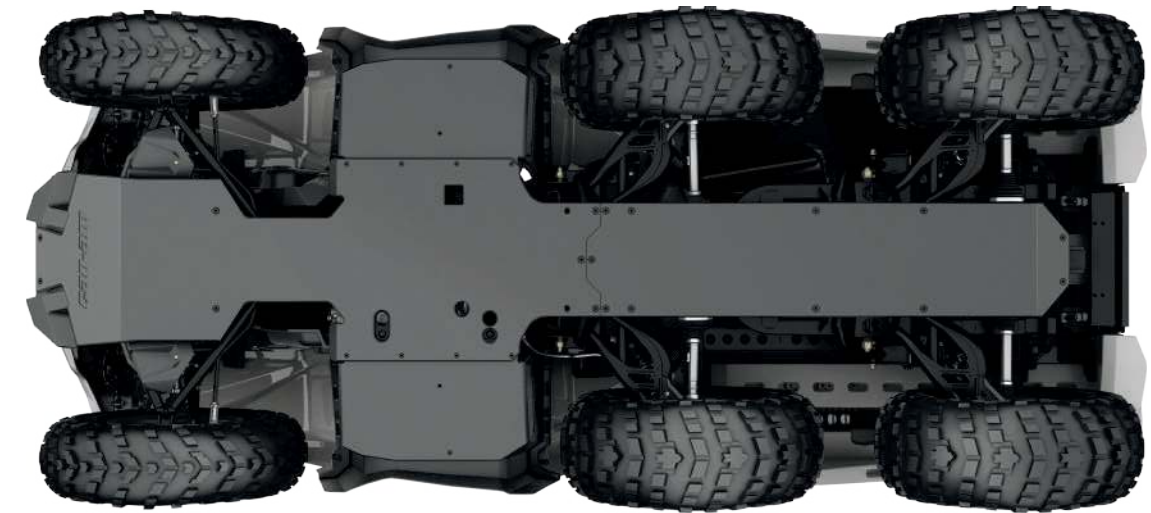
**ENGINEERED TO PROTECT & PRESERVE VEHICLE FRAME, ENGINE & DRIVETRAIN**

**FULL BODY SKID PLATE**

- A full body plastic skid plate (10 mm HDPE) designed to protect the frame and the engine case from rough terrain conditions.
- The plastic allows your ATV to slide easily over stumps and logs.

**G2 (6x6 models only)**  
 715002485 - Latin America/ Asia Pacific  
 715003646 - Europe

\$XXX



**REAR WINCH KIT**

- The remote-controlled rear winch is a godsend when you want to pull yourself out of a tough spot or move heavy loads.
- Includes a fully-sealed Warn winch and all wiring and hardware needed for an easy and quick installation.
- Pulling strength capability of 3,000 lb (1,361 kg).
- 50 ft. of 3/16" (15.2 m of 4.8 mm) wire steel cable.

**G2 (6x6 models only)**  
 715002484 - Latin America/Asia Pacific  
 715002067 - Europe

\$XXX



**DRIVER BACKREST**

- Provides the rider's back with that extra support that makes riding that extra mile way more comfortable.
- Adjusts horizontally to match the driver's height and preference.
- Mounts and locks in firmly onto the vehicle.

**G2 (6x6 only)**  
 715003611

\$XXX





## ITP TERRACROSS TIRE

- This smooth-riding tire will command every bit of traction from the ground while still managing to float across loose snow, sand and mud.
- Features extreme-duty construction for improved puncture protection, extra-tough rubber compound for increased tread life, and the interlocking tread pattern and wide footprint make it one of the toughest and grippiest radials around.
- Not EC compliant.

**G2 XTP, G2 Limited**

Front - 26" x 8" x 14"  
705401906

\$XXXX

Rear - 26" x 10" x 14"  
705502421

\$XXXX



**GROUND-GRIPPING TRACTION MEETS LOOSE MUD MANEUVERABILITY. THE TOUGH TIRE WITH THE SMOOTH RIDE.**

## NEW ITP CRYPTID TIRE

- Graduated lug height and paddle-like shoulder configuration provide maximum side bite for climbing in and out of the mud without compromising ride comfort on trails and hard pack.
- 6-ply rated.
- 30" x 9" x 14".

**G2 X mr 850 & 1000R 2018 & up, G2S X mr 1000R 2018 & up**  
705402178 - 30" x 9" x 14"

\$XXXX



## NEW ITP MEGA MAYHEM

- 1.5" tread depth mud thrower tires.
- Surprisingly smooth ride on hard pack surfaces.
- 6-ply rated.

**G2 X mr 570 & 650 2018 & up, G2S X mr 570 2018 & up**

Front - 28" x 9" x 12"

705402131

\$XXXX

Rear - 28" x 11" x 12"

705502645

\$XXXX



## GORILLA SILVERBACK TIRE

- AT30X9-14 Gorilla Silverback mud tire.
- Sold individually.
- Not EC compliant.

**G2 (850 & 1000 models only)**

30" x 9" x 14"

705400962

\$XXXX



## MAXXIS MUDZILLA TIRE

- Not EC compliant.

**G2 (X mr 570 & 650 models only)**

Front

28" x 8" x 12"

705401391

\$XXXX

Rear

28" x 10" x 12"

705501836

\$XXXX



## ZILLA TIRE BY MAXXIS

- Sold individually.

Front

27" x 10" x 14"

705401302

\$XXXX

Rear

27" x 12" x 14"

705501703

\$XXXX



## CARLISLE ACT TIRE

**G2 (500-1000 XT models only)**

Front

26" x 8" x 12"

705401333

\$XXXX

705401334 · C€

Rear

26" x 10" x 12"

705501769

\$XXXX

705501770 · C€

**G2 (400 XT models only)**

Front

25" x 8" x 12"

705400606

\$XXXX

705400326 · C€

Rear

25" x 11" x 12"

705500933

\$XXXX

705500598 · C€

## CARLISLE ACT HD TIRE

Front

26" x 8" x 12"

705401736

\$XXXX

Rear

26" x 10" x 12"

705502297

\$XXXX



## CARLISLE BADLANDS A/R TIRE

**G2 (500-1000 Base models only)**

Front

26" x 8" x 12"

705401331

\$XXXX

705401332 · C€

Rear

26" x 10" x 12"

705501767

\$XXXX

705501768 · C€



## ITP HOLESHOT SR TIRE

**DS 450**

Front - 21" x 7" x 10"

705400432

\$XXXX

Rear - 20" x 10" x 9"

705500787

\$XXXX



## MONSTER TIRES

- Deestone Swamp Witch Tye.
- Rims sold separately.

27"

Front

619590209

\$XXXX

Rear

619590210

\$XXXX

28"

Front

619590033

\$XXXX

Rear

619590032

\$XXXX



## HIGHWAY TIRES

- Maxxis 28".
- Rims sold separately.

Front - 185/88 - 12 40N/TL

619590011

\$XXXX

Rear - 270/60 - 12 50N/TL

619590012

\$XXXX



## ITP QUADCROSS MX PRO TIRE

**DS 450 X mx**

Front - 20" x 6" x 10"

705400765

\$XXXX

Rear - 18" x 10" x 8"

705501106

\$XXXX



## ITP HOLESHOT GNCC TIRE

**Fits: DS 450 X xc**

Front - 21" x 7" x 10"

705400650

\$XXXX

Rear - 20" x 10" x 9"

705500989

\$XXXX



\*Consult your operator's guide/owner's manual for proper tire type and rim sizing. Improper tire type and rim selection may affect vehicle handling. Check with your local authorities for proper regulation.

Some products shown may not be available or homologated in your country. Contact your BRP dealer for local details.

\*Consult your operator's guide/owner's manual for proper tire type and rim sizing. Improper tire type and rim selection may affect vehicle handling. Check with your local authorities for proper regulation.

**CARLISLE TRAIL WOLF TIRE**

G2 (400 Base models only)

Front  
25" x 8" x 12"  
705401625

\$XXXX

705400607 - CE

Rear  
25" x 11" x 12"  
705502164

\$XXXX

705502165 - CE



**ITP HOLESHOT ATR TIRE**

G2S

Front 205/80R12  
25" x 8" x 12"  
705400600

\$XXXX

705400475 - CE

Rear 270/60R12  
25" x 10" x 12"

705500926

\$XXXX

705500820 - CE



**DURO THRASHER TIRE**

DS 90/70

Front - 19" x 7" x 8"  
V42711DGF00LL

\$XXXX

Rear - 18" x 9.5" x 8"  
V42712DGF010LL

\$XXXX



**KENDA KLAW MXR TIRE**

DS 90 X

Front - 20" x 6" x 10"  
V42711DGF01HLL

\$XXXX

Rear - 18" x 10.5" x 8"

V42712DGF01HLL

\$XXXX



**REAR TIRE CHAINS**

• Improve your traction in mud and snow.  
• Sold in pairs.

26" x 10" x 12"  
25" x 11" x 12"

715500218

\$XXXX

25" x 10" x 12"  
26" x 9" x 12"  
27" x 9" x 14"

715000225

\$XXXX



**KENDA KNARLY TIRE**

DS 250

Front - 22" x 7" x 10"  
S44710RCA000

\$XXXX

Rear - 20" x 11" x 9"

S42710RCA000

\$XXXX



**RIMS**

**14" RIM**

• Premium cast aluminum black painted with machining and clear coat rim.  
• Center hole: 72 mm  
• Bolt circle pattern: 4/136 mm

G2 DPS, G2 XT, G2 MAX 650, G2 MAX XT, G2 MAX Limited

Front - 14" x 6.5" offset = 40 mm  
705401853 - Black and machined

\$XXXX

705401852 - Black with clear coat  
705401851 - Silver with clear coat

\$XXXX

Rear - 14" x 8.5" offset = 50 mm  
705502402 - Black and machined

\$XXXX

705502401 - Black with clear coat  
705502400 - Silver with clear coat

\$XXXX



Note: Matching Nuts - 250100100 Black, 250100082 Chrome / Matching Cap - 705400928

**NEW 14" RIM**

G2 DPS, G2 XT, G2 MAX Limited, G2 Winter, G2 MAX Winter

Front - 14" x 6.5" offset = 40 mm  
705402309 - Black and machined

\$XXXX

705402222 - Black with clear coat  
705402307 - Silver with clear coat

\$XXXX

Rear - 14" x 8.5" offset = 50 mm  
705502770 - Black and machined

\$XXXX

705502702 - Back with clear coat  
705502768 - Silver with clear coat

\$XXXX



**OUTLANDER X MR RIM**

• Cast aluminum rim with trend setting explosive styling so you can ride - and look - like a trailblazer.  
• Front: 14" x 6.5" offset = 10 mm.

ATV (X mr models front and rear wheels)

705401848 - Black and machined  
705401849 - Black

\$XXXX



Note: Matching Nuts - 250100100 Black, 250100082 Chrome / Matching Cap - 705401541

**OUTLANDER X MR RIM - ITP-SS212\***

• Black with machining and clear coat rim.  
• Matching Cap (705400963), Matching Nuts (250100100).  
• Sold individually.

G2 (X mr models only)

Front & Rear - 14" x 6"

705400877 - Black and machined

\$XXXX



**OUTLANDER RIM (CAMO MODEL)**

• Black with clear coat aluminum rim.

G2, G2L, G2S

Front - 12" x 6" offset = 41 mm

705401127 - Black with clear coat

\$XXXX

Rear - 12" x 7.5" offset = 51 mm

705501493 - Black with clear coat

\$XXXX



**LOCKOUT 393 14" RIM BY VISION\***

• Sold individually.  
• Matching Cap (705401362), Matching Nuts (250100100).

Front - 14" x 7"

Bolt circle pattern: 4/136 mm

Wheel offset: 4 + 3

705401363

\$XXXX

Rear - 14" x 8"

Bolt circle pattern: 4/136 mm

Wheel offset: 4 + 4

705501787

\$XXXX



**12" BEADLOCK RIM**

• Black with clear coat aluminum rim.  
• Needs 16 bolts (250000435) for installing the beadlock.  
• Choice of beadlock color (not included).

G2, G2L, G2S

Front - 12" x 6" offset = 41 mm

705401678 - Black

\$XXXX

Rear - 12" x 7.5" offset = 51 mm

705502244 - Black

\$XXXX



**12" BEADLOCK**

• Cast aluminum beadlock.  
• Must be installed on Front Rim (705401678) and Rear Rim (705502244).

G2, G2L, G2S

705401763 - Can-Am Red

705401156 - Yellow

705401533 - Orange Crush

705401812 - Manta Green

\$XXXX

Note: Matching Nuts - 250100100 / Matching Cap 705400928

**14" BEADLOCK RIM**

• Black with clear coat aluminum rim.  
• Choice of beadlock color (not included).  
• Needs 16 bolts (250000435) for installing the beadlock.

G2

Front - 14" x 6.5" offset = 41 mm

705401594

\$XXXX

Rear - 14" x 8" offset = 51 mm

705502146

\$XXXX



**14" BEADLOCK**

• Cast aluminum beadlock.  
• Must be installed on Front Rim (705401594) and Rear Rim (705502146).

G2

705401586 - Manta Green

705401702 - Octane Blue

705401837 - Can-Am Red

705401840 - Black

\$XXXX

Note: Matching Nuts - 250100100 / Matching Cap 705400928

Some products shown may not be available or homologated in your country. Contact your BRP dealer for local details.

\*Consult your operator's guide/owner's manual for proper tire type and rim sizing. Improper tire type and rim selection may affect vehicle handling. Check with your local authorities for proper regulation.

# SPORTSWEAR & RIDING GEAR



## CAN-AM SPORTSWEAR

### NEW ZIPPED HOODIE

- Full-zip hooded sweatshirt.
  - Ribbed waistband and cuffs.
  - Can-Am print in hood liner.
  - High-density logo at front.
  - 2 hand warmer pockets.
  - Woven label at pockets.
- 60% Cotton, 40% Polyester Fleece  
454080 - S, M, L, XL, 2XL, 3XL - Blue (80), Black (90)

\$XXXX



### NEW CAN-AM PULLOVER HOODIE

- Lightweight cotton hoodie.
  - Printed logo at sleeve.
  - Woven label at hem.
- 60% Cotton, 40% Polyester  
454079 - S, M, L, XL, 2XL, 3XL - Charcoal Grey (07)

\$XXXX



### NEW TECHNICIAN SHIRT

- Yarn dyed twill shirt.
  - Patch logos at front.
  - Pleat at center back.
  - Chest pocket with zipper.
- 60% Cotton, 40% Polyester  
454074  
S, M, L, XL, 2XL, 3XL  
Blue (80), Black (90)

\$XXXX



### NEW LONG SLEEVE ORIGINAL TEE

- Cotton tee with discharge print logo and woven label at back.
- 100% Cotton  
454085  
S, M, L, XL, 2XL, 3XL  
White (01), Black (90)

\$XXXX



**NEW ORIGINAL TEE**

• Cotton tee with discharge print logo and woven label at back.  
100% Cotton  
454068 - XS, S, M, L, XL, 2XL, 3XL - White (01), Black (90)

\$XXXX



**NEW INTRUSION TEE**

• Cotton tee with screen print logo and woven label at back.  
100% Cotton  
447373 - XS, S, M, L, XL, 2XL, 3XL - Black (90), Amber (95)

\$XXXX



**NEW X-TEAM TEE**

• Cotton tee with screen print logo at front and back.  
• Woven label at side.  
100% Cotton  
454069 - XS, S, M, L, XL, 2XL, 3XL - Blue (80), Black (90)

\$XXXX



**NEW LADIES' ORIGINAL TEE**

• Cotton tee with discharge print logo and woven label at back.  
• Feminine cut.  
95% Cotton, 5% Spandex  
454071  
XS, S, M, L, XL, 2XL  
White (01), Black (90)

\$XXXX



**NEW LADIES' X-TEAM TEE**

• Cotton tee with screenprint logo and woven label at side.  
• Pocket at front.  
95% Cotton, 5% Spandex  
454070  
XS, S, M, L, XL, 2XL  
Turquoise (Aqua) (76), Black (90)

\$XXXX



**NEW INTRUSION CAP**

• Adjustable plastic strap.  
• Cotton canvas at front.  
• Embroidered logos at front.  
• Mesh at back.  
55% Cotton, 45% Polyester  
447370 - One size  
Charcoal Grey (07), Black (90)

\$XXXX



**NEW INTRUSION FLAT CAP**

• Adjustable plastic strap.  
• Cotton canvas.  
• Logo embroidered at front.  
• Woven label at back.  
• Screen print under brim.  
100% Cotton  
447383 - One size  
Blue (80)

\$XXXX



**NEW FLAT EDGE CAP**

• Adjustable plastic strap.  
• Flat peak.  
• Cotton canvas at front.  
• Mesh at back.  
55% Cotton, 45% Polyester  
447646 - One size  
Black (90)

\$XXXX



**NEW CLASSIC CAP**

• Adjustable plastic strap.  
• Embroidered 3D logo at front.  
• Woven label at back.  
• Screen print under brim.  
100% Cotton  
448522 - One size-Grey (09), Red (30), Blue (80), Navy (89), Black (90)

\$XXXX



**NEW ADVENTURE TEAM JERSEY**

• Quick-dry, antibacterial moisture-wicking fabric.  
• Extended back for coverage while riding.  
• Mesh fabric for extra ventilation underarms.  
• Non-fading sublimated graphics  
• Rib cuffs.  
100% Polyester  
454072 - S, M, L, XL, 2XL, 3XL - Grey (09), Red (30)

\$XXXX



**NEW X-RACE JERSEY**

• Ultralight, quick-dry, antibacterial and moisture-wicking fabric.  
• Mesh fabric for maximum breathability.  
• Extended back for coverage while riding.  
• Non-fading sublimated graphics.  
• Rib cuffs.  
100% Polyester  
454073 - S, M, L, XL, 2XL, 3XL - Charcoal Grey (07), Blue (80)

\$XXXX



**NEW LADIES' TEAM JERSEY**

• Semi-fitted cut specifically designed for ladies.  
• Quick-dry, antibacterial, moisture-wicking fabric for maximum comfort.  
• Mesh fabric for extra ventilation underarms.  
• Rib cuff.  
• Non-fading sublimated graphics.  
90% Polyester, 10% Spandex  
454134 - XS, S, M, L, XL, 2XL  
Grey (09), Teal (74)

\$XXXX



**MOSSY OAK CAMO JERSEY**

• Ultralight, quick-dry, antibacterial moisture-wicking fabric.  
• Extended back improves coverage.  
• Non-fade sublimated Mossy Oak Break-Up Country Camo fabric matches ATV/Side-by-side pattern.  
100% Polyester  
286606 - M, L, XL, 2XL, 3XL  
Mossy Oak Break-Up Country Camo (37)

\$XXXX



Some products shown may not be available or homologated in your country. Contact your BRP dealer for local details.

## MUD JACKET

- 100% waterproof PVC.
- Electronically-welded seams.
- Underarm and rear vent panels.
- 2 hand pockets.
- Elastic cuffs.
- Drawstring hood and hem.

Polyvinyl Chloride (PVC)  
286676 - S, M, L, XL, 2XL  
Clear (00), Matte Black (93)

\$XXXX



## MUD PANTS

- Oversized pants made of 100% waterproof PVC.
- Electronically-welded seams.
- Strategically placed ventilation.
- Side openings at bottom leg.

Polyvinyl Chloride (PVC)  
286128 - S, M, L, XL, 2XL  
Clear (00), Matte Black (93)

\$XXXX



## JACKETS &amp; PANTS

RPM

## MEN'S RIDING JACKET

- Highly resistant, Teflon™-treated with RPM waterproof and breathable technology.
- Double-stitch construction throughout.
- Critical seams sealed.
- Double front flap and adjustable wrists and hem.
- Small opening at left shoulder for hydration pack water delivery tube (not included).
- Shaped sleeves.

100% Nylon

286390 - XS, S, M, L, XL, 2XL, 3XL - Yellow (10), Camo (37), Black (90)

\$XXXX



- Large ventilation at chest, sleeves and back for maximum breathability and good airflow.
- Sleeves can be stored in lower large back pocket.
- Multiple pockets.
- Mesh lining.
- Reflective details.
- Jacket-to-pants connector.

RPM

## MEN'S ADVENTURE PANTS

- Lightweight durable pants with RPM waterproof and breathable technology.
- Stretch waterproof panel at crotch and upper back for ease of movement.
- Triple stitched construction at crotch.
- Critical seams sealed.
- Shaped knees with darts.
- Binding hem at cuff for reinforcement.
- Storm gaiters at bottom opening.
- Velcro™ side waist adjustment.
- Side leg 2-way zipper to facilitate exit.
- Jacket-to-pants connector.
- Mesh lining.
- Belt loops.

100% Nylon

286391 - 28, 30, 32, 34, 36, 38, 40, 42, 44 - Yellow (10), Camo (37)

\$XXXX



RPM

## MOSSY OAK CAMO JACKET

- Stealthy-silent waterproof Mossy Oak Break-Up Country Camo fabric matches ATV/Side-by-side pattern.
- Fully-sealed seams.
- Sleeve and side seam ventilation evacuates moisture.
- Detachable hood and molded visor with height-adjustment drawstring.
- Adjustable cuff with hook-and-loop tab.
- Chest pockets, 2 expandable lower pockets, plus hand-warmer pockets.
- Designed for backpack wear with easy access to vents and pockets.
- Articulated elbow with longer back tailored for riding position.

100% Polyester

286544 - M, L, XL, 2XL  
Mossy Oak Break-Up Country Camo (37)

\$XXXX



RPM

## MOSSY OAK CAMO PANTS

- Stealthy-silent waterproof Mossy Oak Break-Up Country Camo fabric matches ATV/Side-by-side pattern.
- Fully-sealed seams.
- Dual easy-access cargo pockets.
- Knee-high side zipper.
- Thinner knee and seat foam for added comfort.
- Removable suspenders.
- Articulated knee and raised back waist ideal for riding position.
- Brushed tricot lining.
- Belt loops.
- Adjustable bottom leg system.

100% Polyester

286545 - M, L, XL, 2XL  
Mossy Oak Break-Up Country Camo (37)

\$XXXX



## RANCH HEAVY DUTY JACKET

- Heavy-duty stain and water-repellent cotton canvas.
- Lightly insulated.
- Rear armhole gusset enhances mobility.
- Shaped sleeves and back tail for riding comfort.
- Multiple pockets.

100% Cotton

Insulation: 100% Polyester

286551 - S, M, L, XL, 2XL, 3XL  
Brown (04)

\$XXXX



## RANCH HEAVY DUTY PANTS

- Heavy-duty stain and water-repellent cotton canvas.
- 2 side-leg cargo pockets.
- Belt loops.
- Pre-shaped legs.

100% Cotton

286556 - 28, 30, 32, 34, 36, 38, 40, 42, 44 - Brown (04)

\$XXXX



RPM

## STORM JACKET

- RPM MAX waterproof, windproof and breathable technology.
- Windproof DWR-treated polyester fabric.
- Fully-sealed seams.
- Double front-flap with interior rain gutter.
- Minimalist design helps repel mud and water.
- Zippered pockets at left chest and waist.
- Inner pocket with Velcro closure.
- Gussets at back armhole for ease of movement.
- Pre-shaped sleeves.
- Can-Am print at front.
- Embossed Can-Am patch at back.
- Adjustable wrists and hem.

100% Polyester

286611 - M, L, XL, 2XL, 3XL - Khaki (05)

\$XXXX



RPM

## STORM PANTS

- RPM MAX waterproof, windproof and breathable technology.
- Windproof DWR-treated polyester fabric.
- Fully-sealed seams.
- Zippered pocket on left leg.
- Adjustable suspenders with bib.
- Y-shape strap designed to stay securely on shoulders.
- Storm gaiters at bottom opening.
- Self-fabric gusset at crotch keeps out water and mud.
- Pre-shaped legs.
- Can-Am print at right leg.
- Reinforced inner-leg fabric.

100% Polyester

286612 - S, L, XL, 2XL, 3XL - Khaki (05)

\$XXXX



**CAN-AM WINDPROOF JACKET**

- Windproof DWR-treated nylon.
- Adjusted fit.
- Sealed critical seams.
- Hand pockets, plus interior Napoleon pocket.
- Large high-visibility reflective stripes on shoulders.
- Adjustable wrists and hem.
- Jacket-pant connector.
- Pre-shaped sleeves.
- Can-Am branded on front-rear.

100% Nylon  
286578 • XS, S, M, L, XL, 2XL, 3XL  
Black (90)

\$XXX

**CAN-AM WINDPROOF PANTS**

- Windproof DWR-treated nylon.
- Adjusted fit.
- Durable 500-denier seat fabric.
- Sealed critical seams.
- Thigh pocket.
- Elasticized waist with belt loop.
- Fitted to be worn over pants.
- Pre-shaped legs.
- Can-Am branded pocket.

100% Nylon  
286579 • 28, 30, 32, 34, 36, 38, 40, 42, 44  
Black (90)

\$XXX

**NEW WINTER RIDING JACKET**

- Robust textured fabric featuring RPM waterproof, windproof and breathable technology.
- Critical seams sealed for added protection.
- Vents at underarm to enhance moisture evacuation during rigorous riding or mild weather.
- 2 waist pockets and 1 Napoleon pocket.
- Cap inner pockets.
- Cold-blocking front flap with insulated under flap uniquely designed for off-road riding windproofness.
- Powder skirt to keep wind, cold and snow from entering.
- Reflective details.
- Micro-polyester at collar and micro-fleece integrated inner wrists.
- Inside front and back panels lined with micro-fleece to add warmth and comfort.
- Easy-access collar adjustment on both sides.
- Bottom and wrist adjustments.
- Can-Am print at front and on sleeve.
- Can-Am embroidery at back.

60% Polyester, 40% Nylon  
Insulation: Primaloft Black

286609 • L, XL, 2XL, 3XL • Black (90)

\$XXX

**NEW WINTER RIDING HIGHPANTS**

- RPM waterproof, windproof and breathable technology.
- Intelligent combination of materials specifically adapted to winter riding.
- Critical seams sealed.
- Reinforced fabric at seat and knees.
- 3/4 length side zippers with adjustable hem.
- Reflective details.
- Storm gaiter with boot lace snap-on webbing to shield snow entry.
- Pre-shaped legs.
- Bib-style pants with high back and front to keep wind and snow out.
- Adjustable suspenders with Y-shape strap designed to stay securely on shoulders.
- Fleece-lined seat.

60% Polyester, 40% Nylon  
Insulation: Primaloft Black

286610 • S, M, L, XL, 2XL, 3XL • Black (90)

\$XXX

**LADIES' CROSS PANTS**

- Lightweight durable pants with RPM waterproof and breathable technology.
- 500-denier waterproof nylon at seat and bottom inseam.
- Stretch fabric waistband.
- Critical seams sealed.
- Water-resistant thigh zipper vent.
- Hip pocket with zipper and flap.
- Jacket-to-pants connector.
- Binding hem at cuff for reinforcement.
- Storm gaiters at bottom opening.
- Shaped knees with darts.
- Mesh lining.
- Belt loops.

100% Nylon

286478 • 6, 8, 10, 12 • Black (90)

\$XXX

**LADIES' WINTER RIDING HIGHPANTS**

- RPM MAX waterproof, windproof and breathable technology.
- Technical, comfortable, versatile with feminine cut.
- All seams and logos sealed.
- 1000-denier nylon-lined seat, knees and inner legs.
- Polar-fleece lined seat and knees.
- Stretch-fleece bib.
- Drop seat design.
- Shaped knees.
- 2-way full-length side zippers.
- Adjustable waist.
- Hip pockets.
- Water-resistant zipper at right thigh pocket.
- Reflective details.

90% Nylon, 10% Polyester  
Insulation: Primaloft Black

286460 • XS, S, M, L, 3XL • Matte Black (93)

\$XXX

**CAN-AM RIDING BOOTS**

- Rider-tough 20cm lace-up-style riding boots.
- VIBRAM® Bifida® outsoles for superior performance.
- COSMO® HydroGuard® waterproofing.
- Full-grain leather upper (waterproof nubuck in beige model).
- Removable Meramec® Ultron® insoles.
- Ultra-comfortable padded collar.

100% Leather

444197 • 7, 8, 9, 10, 11, 12, 13 • Beige (02), Black (90)

\$XXX



- High-gusseted tongue keeps out water and debris.
- Steel toe caps.
- Abrasion-resistant TPU toe protectors.
- Double heavy-duty stitching in higher-stress areas.
- Abrasion-resistant laces.

**CAN-AM NEOPRENE MUD BOOTS**

- 100% waterproof polyurethane boot.
- Neoprene upper for maximum flexibility while walking or riding.
- Lightweight and comfortable soft liner.
- Aggressive tread design for maximum grip on any surface.
- Excellent resistance to oils, grease and gasoline.

60% Polyurethane, 40% Neoprene

444196 • 8, 9, 10, 11, 12, 13  
Black (90)

\$XXX

444201 • 8, 9, 10, 11, 12, 13  
Next G-1 Vista Camo (37)

\$XXX

**BALACLAVAS****MICRO-FLEECE BALACLAVA**

- Stretch, antibacterial warming fleece fabric with brushed inner surface.
- Flatlocked seams prevent skin chafing.

92% Polyester, 8% Spandex

447565 • One size • Black (90)

\$XXX

**TECHNICAL BALACLAVA**

- Micro-fleece balaclava with strategically placed mesh for breathability.
- Windproof neck bib.
- Higher at back of neck for increased motion range.
- Flatlocked seams prevent skin chafing.

92% Polyester, 8% Spandex

445950 • One size • Black (90)

\$XXX

**BASIC BALACLAVA**

- Designed for warmth, dryness and comfort.
- Flatlocked seams prevent skin chafing.
- 80% Nylon, 20% Spandex

447449 • One size • Black (90)

\$XXX

**NECK AND BODY CORE PROTECTION****WINDPROOF LAYER**

- Coverage for your crucial body core.
- Windproof, warm and breathable layer.
- Stretch fabric and unrestricted arm movement.
- Zipper on shoulder for easy slip on/off, even with a helmet.
- Flatlock seams to prevent skin chafing.

100% Polyester

286348 • S, M, L, XL, 2XL • Black (90)

\$XXX

**NECK GAITER**

- Anti-pilling fleece.
- Spandex binding for a better fit.

100% Polyester

286331 • One size • Black (90)

\$XXX





## ENDURO DESIGNED FOR LONG RIDES AND HIGH ADVENTURE.

### Features & Benefits

- Perfect for adventure riding, on or off the trails. The EX-2 offers the dual experience of riding with a visor helmet plus the look and advantages of an MX helmet.
- Advanced plastic composite shell.
- Lockable, multi-positions and anti-scratch visor.
- Interchangeable retractable sun visor.
- Removable aerodynamic peak.
- Ultra-comfort and washable Dri-Lex<sup>+</sup> linings.
- Oversized chin deflector.
- Adjustable air vents and exhausts.

### EX-2 ENDURO HELMET

Shell: Polycarbonate Composite  
448466  
XS, S, M, L, XL, 2XL  
Black with graphics (94)

\$XXX

DOT ECE22.05



## XP-3 SUPERLIGHT CROSS-STYLE HELMET: FEATURE-PACKED FOR EXCEPTIONAL PERFORMANCE, PROTECTION AND COMFORT.

### Features & Benefits

- Premium shell construction using superlight fiberglass and impact absorbing EPS liner.
- Aero-tuned fully adjustable visor system.
- Custom stainless grille design.
- Front and rear hi-max air vent system to maximize cooling.
- Removable, washable and replaceable CoolMax<sup>™</sup> moisture-wicking liner.
- Lightweight double-D chin strap.
- Weight: ±1470 grams for size Large.
- Durable multi-colored clear coated graphics.
- Can-Am branded.
- Triple certified: DOT, ECE and SNELL M2015.

### NEW XP-3 PRO X-RACE HELMET

Shell: Fiberglass  
448537  
XS, S, M, L, XL, 2XL  
White (01), Gold (11)

\$XXX

DOT Snell ECE22.05



### XP-3 X-RACE HELMET

Durable multi-colored clear-coated graphics.  
Shell: Fiberglass  
448342 - ECE  
XS, S, M, L, XL, 2XL  
Yellow (10), Green (70)

\$XXX

DOT Snell ECE22.05



## XC-4 PREMIUM LOOK & STYLE.

### Features & Benefits

- Shell construction is super light polycarbonate with impact absorbing EPS liner.
- Fully adjustable visor system.
- Custom stainless grille design.
- Front and rear hi-max air vent system to maximize cooling.
- Removable, washable and replaceable moisture-wicking liner.
- Lightweight double-D chin strap.
- Weight: ±1470 grams for size Large.

### NEW XC-4 MODERN HERITAGE HELMET

- Durable multi-colored clear coated graphics.
- Can-Am branded.

Shell: Polycarbonate Composite

448526 - XS, S, M, L, XL, 2XL  
White (01), Grey (09)

\$XXX

DOT ECE22.05



### XC-4 HELMET

Shell: Polycarbonate Composite  
448255 - XS, S, M, L, XL, 2XL - Black (90)

\$XXX

DOT Snell



### LADIES' XC-4 HELMET

- Durable multi-colored clear coated graphics.
- Winter breath deflector included.

Shell: Polycarbonate Composite

448397 - XS, S, M, L, XL, 2XL - Pink (36)

\$XXX

DOT ECE22.05



## DUST MASKS

- Easily replaceable filters remove 99.9% of airborne dust, particles, pollen and odors.
- Made from soft yet durable neoprene material that fits snugly under helmets and goggles.
- XS/S fits most kids 12 and under, M/L fits most riders and XL/2XL fits larger frames (235+ lb).
- Includes 2 replacement filters and a small storing pouch.



### NEW CAN-AM ORIGIN DUST MASK

Convenient MP3 player pocket on the side.  
448524  
XS/S, M/L, XL/2XL  
Black with graphics (94)

\$XXX



### NEW CAN-AM VENTED DUST MASK

448525  
XS/S, M/L, XL/2XL  
Black (90)

\$XXX



### CAN-AM X-RACE DUST MASK

448247  
XS/S, M/L, XL/2XL  
Yellow (10)

\$XXX

## COMMUNICATION SYSTEM

### NEW SENA 30K BLUETOOTH COMM SYSTEM

- Bluetooth headset that operates on Sena's Mesh Intercom<sup>™</sup> technology.
- The 30K has a new quick charge feature meaning just 20 minutes of charging gets riders an impressive 5 hours of Bluetooth intercom use, or 3 hours Mesh Intercom use.
- 2.4 GHz frequency, connecting to other riders in an entirely new way.
- Should one of the group's riders go out of range, the Mesh Intercom intelligently keeps the rest of the group in seamless communication, while actively searching to reconnect, should that rider come back within range.
- Using the private group mode, the 30K can pair in full duplex communication with up to 16 riders at a range up to 1.2 miles.
- Sena 30K Audio Multitasking technology allows you to have a conversation via Adaptive Mesh-Networking technology while simultaneously enjoying Bluetooth operations such as streaming smartphone music, taking or making phone calls, or listening to turn-by-turn GPS navigation.

#### Single Pack

448610  
One size  
Black (90)

\$XXX

#### Dual Pack

448611  
One size  
Black (90)

\$XXX





#### CAN-AM RACE SAND GOGGLES BY SCOTT

- No Fog<sup>1</sup> anti-fog lens treatment.
- 100% UV protected grey Lexan<sup>1</sup> lens.
- Dust catcher vent foam.
- Multi-layer face foam.
- Durable anti-slip strap.
- Tear-off and roll-off compatible (sold separately).
- Extra clear lens in the box.

448491 • One size • Black (90)

\$XXXX



#### CAN-AM ADVENTURE OVER THE GLASSES GOGGLES BY SCOTT

- Same great features as the Can-Am Adventure goggles, engineered to fit comfortably with prescription eyeglasses.

447901 • One size • Black (90)

\$XXXX



#### CAN-AM ADVENTURE GOGGLES BY SCOTT

- No Fog anti-fog lens treatment.
- Clear Lexan lens.
- Multi-layer face foam.
- Durable anti-slip strap.
- Tear-off and roll-off compatible (sold separately).

447900 • One size  
White (01), Yellow (10), Black (90)

\$XXXX



#### CAN-AM TRAIL GOGGLES BY SCOTT

- 100% UV protected clear Lexan lens.
- Hypoallergenic super-soft face foam.
- Durable anti-slip strap.
- Tear-off and roll-off compatible (sold separately).

447899 • One size  
White (01), Yellow (10), Black (90)

\$XXXX



#### CAN-AM WORKS FILM SYSTEM BY SCOTT

- 1 anti-stick replacement lens.
- 2 rolls of film.
- 1 mud flap.
- 6 tear-offs.

447908 • One size • Clear (00)

\$XXXX



#### CAN-AM WORKS SINGLE LENS TEAR-OFF BY SCOTT

- 1 clear replacement lens.
- 6 tear-offs.
- 2 posts included.

447910 • One size • Clear (00)

\$XXXX



#### GOGGLES REPLACEMENT SINGLE LENS

- Impact-resistant polycarbonate.
- No Fog anti-fog lens treatment.

447905 • One size • Clear (00), Grey (09)

\$XXXX

448225 • One size • Mirror Silver (22)

\$XXXX



#### GOGGLES REPLACEMENT DUAL LENS

- Impact-resistant polycarbonate.
- No Fog anti-fog lens treatment.

447906 • One size  
Clear (00), Pink (36)

\$XXXX

## GLOVES

#### NEW X-RACE GLOVES

- Air mesh panels for ventilation and mobility.
- Double Clarino<sup>1</sup> layer at palm and thumb for extra durability and comfort.
- Pre-curved design.
- Silicone fingertip for better grip.
- Direct-injection details on back hand.
- Hook-and-loop wrist closure system.

Air Mesh, Spandex, Clarino<sup>1</sup>

#### MEN'S

446306  
XS, S, M, L, XL, 2XL  
Red (30), Blue (80)

\$XXXX



#### LADIES'

446311  
S, M, L, XL, 2XL  
Turquoise (Aqua) (76),  
Black (90)

\$XXXX



#### NEW ADVENTURE TEAM GLOVES

- Spandex construction for flexibility.
- Chamude palm.
- Pre-curved design.
- Non-fading sublimated graphics.
- Slip-on gloves.
- Welded logo.
- Silicon print at inner fingers.

Shell: Spandex, Chamude, Polyester

446305 • S, M, L, XL, 2XL, 3XL  
Red (30)

\$XXXX



#### MOSSY OAK CAMO GLOVES

- Matches ATV/Side-by-side Mossy Oak Break-Up Country Camo pattern.
- 100g insulation keeps out the cold.
- Quick, easy forefinger trigger\* access.
- Extra-durable leather-layered palm provides added grip.
- Hipora<sup>TM</sup> waterproof/windproof/

85% Polyester, 15% Leather  
Insulation: 100% Polyester

286572 • M, L, XL, 2XL, 3XL  
Mossy Oak Break-Up Country Camo (37)

\$XXXX

- breathable insert.
- Velcro<sup>1</sup> wrist adjustment.
- Pre-shaped fingers.
- Large gauntlet ensures proper jacket-sleeve overlap.
- \* Forefinger area not completely waterproofed.



#### WINTER RIDING GLOVES AND MITTS

- mcFIT<sup>1</sup> technology to improve grip at palm.
- Extra warm nylon gloves with leather palm.
- Removable antibacterial, stay-dry moisture management lining.
- Gloves with visor-wiping cotton terry left thumb for clearing water, snow or fog.
- Reflective details.

Nylon, Leather  
Insulation: Primaloft Gold

#### Gloves

286204  
S, M, XL  
Black (90)

\$XXXX



#### Mitts

286583  
M, L, XL, 2XL  
Black (90)

\$XXXX



mcFIT stands for Maximum Comfort Fit because the membrane and outer shell are laminated together. Gloves using this technology are more flexible and ultimately result in a better feel.



## JUNIOR X CRUSH HELMET

- Advanced Plastic Composite Shell.
- Multi-density EPS liner.
- Ultra-plush removable/washable liners.
- Adjustable visor to protect from the elements.
- Multiple air vents help keep you cool and dry.
- Lightweight double-D chin strap.
- Ski-Doo and Can-Am stickers in the box.
- Optional breath deflector (sold separately).

Shell: ABS

448506 • S, M, L • Black with graphics (94)

\$XXX

DOT ECE22.05



## CAN-AM JUNIOR TRAIL GOGGLES BY SCOTT

- Integrated custom painted frame and strap graphics.
- No Fog! anti-fog lens treatment.
- 100% plastic UV protected clear Lexan® lens.
- Multi-layer face foam.
- Durable anti-slip strap.

448512 • One size • Black (90)

\$XXX



## BOY CHASE TEE

- Can-Am print at back.
- 100% Cotton
- 286489 • 7-8, 10-12, 14-16
- Red (30), Black (90)

\$XXX



## GIRL CAN-AM HOODIE

- Can-Am print at back.
- 72% Cotton, 23% Polyester, 5% Spandex
- 286486 • 7-8, 10-12, 14-16 • Purple (40)

\$XXX



# BAGS

## CAN-AM SLAYER GEAR BAG BY OGIO

- Large main compartment with easy access to all gear.
- Large separated boot pocket.
- Zippered accessory pocket.
- Easy grab handles for transport.
- Detachable shoulder strap.
- Heavy-duty reinforced base
- Dimensions: 32" H x 16" W x 18" D (81 cm x 41 cm x 46 cm)

100% Polyester

469294 • One size • Black (90)

\$XXX



## CAN-AM URBAN BACKPACK BY OGIO

- Airport security friendly protective laptop compartment.
- Padded iPad™/tablet/e-reader pocket.
- Dual side water bottle/accessory holders.
- Fully adjustable ergonomic shoulder straps.
- Front pocket with two padded accessory compartments and slip pocket.
- Dimensions: 19.5" H x 13.5" W x 9.5" D (50 cm x 34 cm x 24 cm).

100% Polyester

469293 • One size • Black (90)

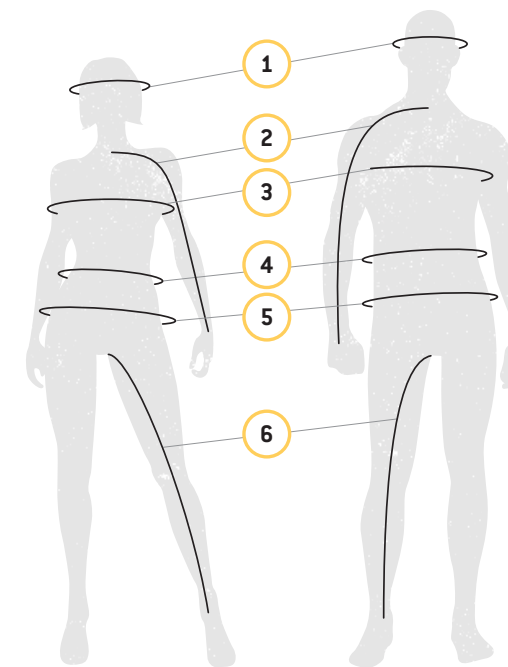
\$XXX



## HOW TO MEASURE

- For best results, have someone else take measurements.
- Measure body in underwear.
- Tape must be snug but not tight.
- If measurements fall between two sizes, order the larger size.

<b>1 HEAD</b>	Around your head, from the center of the forehead, above the ears and over the natural bump at the back of the head.
<b>2 ARM LENGTH</b>	Let the hands hang down on the side in a slightly bent position. Measure from the center of the back of your neck, along the length of your arm, to the wrist.
<b>3 CHEST/BUST</b>	Measure under your arms, around the fullest part of your chest.
<b>4 WAIST</b>	Measure around your natural waistline, keeping one finger between the tape and body.
<b>5 HIPS</b>	Across the fullest part of the seat.
<b>6 INSEAM</b>	Without shoes, from crotch to the floor.



## WHAT CODE REPRESENTS YOUR SIZE?

1. Find your size.
2. The corresponding code is **THE CODE** you use to complete the part number on your order.  
Example: 440227\_\_90 Size: M = Code "06", therefore 4402270690

SIZE	CODE	SIZE	CODE	SIZE	CODE	SIZE	CODE	SIZE	CODE	SIZE	CODE
One Size	00	XL	12	L/XL	73	11/12	56	10	30	32	38
XS	02	XLT	13	2	21	13/14	80	10.5	99	34	39
XS/S	90	2XL	14	3/4	79	14/16	50	11	31	36	40
S	04	3XL	16	5/6	52	4	23	12	32	38	41
M	06	4XL	18	6/8	48	6	25	13	33	40	42
MT	07	5XL	88	7/8	54	7	27	14	34	42	43
L	09	S/M	72	9/10	55	8	28	28	36	44	44
LT	10	M/L	91	10/12	49	9	29	30	37		

MEN'S—1.77 M - 1.83 M							
	XS	S	M	L	XL	2XL	3XL
CHEST	89-94	94-102	102-112	112-122	122-132	132-142	52-56
WAIST	74-79	79-86	86-97	97-107	107-117	117-127	46-50
HIPS	89-94	94-102	102-112	112-122	122-132	132-142	52-56
ARM LENGTH	79-81	81-84	84-86	86-89	89	89-91	35
INSEAM	80-81	81	81	81	81-82	82-83	32 1/2

LADIES'—1.64 M - 1.77 M							
	XS	S	M	L	XL	2XL	3XL
CHEST	81-86	86-91	91-99	99-107	107-114	114-124	124-134
WAIST	61-66	66-71	71-76	76-86	86-94	94-104	104-114
HIPS	86-91	91-97	97-102	102-112	112-119	119-132	132-140
ARM LENGTH	79	79-81	81	81-83	83	83-86	86
INSEAM	76	76	76	76	76	76-77	77

MEN'S GLOVES (MEASURE PALM WIDTH)						
	S	M	L	XL	2XL	3XL
CM	7.5	8.5	9.5	10.5	11.5	14

LADIES' GLOVES (MEASURE PALM WIDTH)					
	S	M	L	XL	2XL
CM	6.8	7.5	8.3	9	11.5

HELMETS							
	XS	S	M	L	XL	2XL	3XL
HEAD (CM)	53-54	55-56	57-58	59-60	61-62	65-66	65-66

JUNIOR HELMETS			
	S	M	L
HEAD (CM)	49-50	51-52	53-54

**REMEMBER WHAT MADE YOU FALL FOR A CAN-AM VEHICLE?**  
Precisely engineered. Rigorously tested. Factory approved. The ultimate off-road experience continues with the Genuine Can-Am parts.

# PARTS THAT SET THE STANDARD

**2 YEARS WARRANTY ON ALL GENUINE CAN-AM PARTS**



**REGULAR MAINTENANCE ENSURES YOUR OUTLANDER PERFORMANCE STAYS AT ITS PEAK.**

**KEEP AN EYE ON THESE COMPONENTS\***

- 1 OIL FILTER 420256188
- 2 ENGINE OIL SEE P.86
- 3 FUEL FILTER 709000330
- 4 AIR FILTER 707800371
- 5 CVT INTAKE FILTER 707001130
- 6 DRIVE BELTS SEE P.82
- 7 BRAKE PADS SEE P.82
- 8 BOOT KITS SEE P.82
- 9 WHEEL BEARINGS 293350118
- 10 A-ARM BUSHINGS 703500875
- 11 BALL JOINTS 706202044/706202045
- 12 SPARK PLUG 715900352/707000246
- 13 BATTERY SEE P.82

\*Refer to periodic maintenance chart for proper intervals.

Some products shown may not be available or homologated in your country. Contact your BRP dealer for local details.



**REGULAR MAINTENANCE ENSURES YOUR RENEGADE PERFORMANCE STAYS AT ITS PEAK.**

**KEEP AN EYE ON THESE COMPONENTS\***

- 1 OIL FILTER 420256188
- 2 ENGINE OIL SEE P.86
- 3 FUEL FILTER 709000330
- 4 AIR FILTER 707800371
- 5 CVT INTAKE FILTER 707001786
- 6 DRIVE BELTS SEE P.82
- 7 BRAKE PADS SEE P.82
- 8 BOOT KITS SEE P.82
- 9 WHEEL BEARINGS 293350118
- 10 A-ARM BUSHINGS 703500875
- 11 BALL JOINTS 706202044/706202045
- 12 SPARK PLUG 715900352/707000246
- 13 BATTERY SEE P.82

\*Refer to periodic maintenance chart for proper intervals.

## GENUINE CAN-AM MAINTENANCE PARTS

**OIL FILTER**  
420256188  
420256455 - Fits DS450



**O-RING (DRAIN PLUG)**  
(Not illustrated)  
420552280

**O-RING (OIL FILTER COVER)**  
(Not illustrated)  
420230920

COMPLETE OIL CHANGE KIT ALSO AVAILABLE—SEE PAGE 88

**AIR FILTERS**  
• Prevent airborne contaminants from reaching your engine.  
• Protect internal components against premature wear.  
• Genuine BRP air filters ensure absolute compatibility and a perfect fit.  
707800371 - Premium Air Filter  
715001333 - Performance Air Filter by Twin Air



**SPARK PLUG**  
• Ask your authorized Can-Am dealer which one fits your vehicle.  
715900352 - 500, 570, 650 Engines  
707000246 - All except 500, 570, 650



**FUEL FILTER**  
(Not illustrated)  
709000330

**CVT INTAKE FILTER**  
(Not illustrated)  
701001130 - Outlander  
707001786 - Renegade

SEE OIL & MAINTENANCE PRODUCTS AT PAGE 86

VISIT THE [CAN-AMOFFROAD.COM](http://CAN-AMOFFROAD.COM) PARTS & MAINTENANCE SECTION TO SEE THE FULL LINE OF GENUINE CAN-AM PARTS.

Note: Please contact your dealer or visit our online store at can-amoffroad.com for suggested retail prices regarding Genuine Can-Am Parts.

### PREMIUM DRIVE BELT

- Premium drive belt calibrated to maximize your vehicle's performance.
- Aramid tensile cords used in construction for extra long life and dependability.
- Built with distinctive durability features for off-road riding.

422280360 - 500CC & more.  
715900024 - 450CC & less.  
715900023 - Traxter



### PERFORMANCE DRIVE BELT (100% PBO)

- High-performance belt technology designed for side-by-side usage, but compatible on ATVs for most drivers.
- 100% cutting-edge PBO high-tensile strength polymer fiber construction.
- Designed for high-temperature robustness and prolonged durability.

422280364

### PULLER/LOCKING TOOL / DRIVEN ADAPTOR

(Not illustrated)

- Spreads the secondary clutch open for easy belt replacement.
- Locks engine at TDC for maintenance tasks.

529036098

### METALLIC BRAKE PAD KIT

- Built strong to last longer. Heavy-duty construction stands up to hard braking.
- Designed to handle demanding riding conditions with challenging braking environments such as mud and sand.
- Created specifically for use with Can-Am ATVs.

Contact your authorized dealer or visit our online store at [can-amoffroad.com](http://can-amoffroad.com)

705600350 - Front Right  
705600349 - Front Left  
705600398 - Rear Left

Outlander X mr, MAX X-TP, MAX XT, MAX PRO, MAX Limited, Renegade X xc (2012)

715900248 - Front Left  
715900249 - Front and Rear Right



### ORGANIC BRAKE PAD KIT

- Chosen as the standard OEM on Can-Am ATVs for dry conditions.
- Provides excellent braking capacity with optimal efficiency, a great feel, and low noise.

Contact your authorized dealer or visit our online store at [can-amoffroad.com](http://can-amoffroad.com)

705601014 - Front and Rear Right  
705601015 - Front Left & Rear Left (Renegade only)



### YUASA® BATTERIES

- Top of the line models from the leading preferred original equipment battery supplier in North America.

Renegade & Outlander 2004-2012	Traxter & Quest 1999-2006	DS (250, 90, 70, 50) 18 Amps. Wet (YTX20L-BS) 410301203
19 Amps. Dry (YB16CL-B)	13 Amps. Wet (YTX15L-BS) 710000283	



### CVT GASKET COVER

(Not illustrated)

G2 (Outlander & Renegade) 420430126

G2L (Outlander & Outlander MAX 450) 420630292

G1 (Outlander & Outlander MAX 400) 420630290

### PREMIUM HALF SHAFT

- Premium quality design ideal for off-road use.
- Includes CVs, Shaft and Boots with the best suited geometry for your Can-Am vehicle.

Front Left

705401429 - Engine 570 EFI  
705401115 - All models (except X mr, Engine 570)

Front Right

705401428 - Engine 570 EFI  
705401116 - All models (except X mr, Engine 570)

Rear Left

705501485 - All models (except X mr)

Rear Right

705501486 - All models (except X mr)



### PERFORMANCE HALF SHAFT

- High-performance design ideal for off-road use with superior protection in mud riding.
- Includes CVs, Shaft and Boots with the best suited geometry for your Can-Am vehicle.

X mr models

705401704 - Front Left  
705401703 - Front Right  
705501848 - Rear Right  
705501847 - Rear Left

### WHEEL BEARINGS

(Not illustrated)

- Sealed bearings for additional protection from water and dirt.

293350118

### A-ARM BUSHING KIT

- All you need to renew your suspension A-Arms. This bushing kit includes 2 bushings, a sleeve and a wearplate as illustrated.

703500875



### CV BOOT KITS

- Come with clamps and grease.
- Genuine BRP CV Boot Kits ensure absolute compatibility and a perfect fit.

Front Wheel Side

715900298 - X mr  
705401345 - All models (except X mr)

Front Differential Side

715900299 - X mr  
705401346 - All models (except X mr)

Rear

705501864



### BALL JOINTS

- Robust design for off-road usage and sealed for prolonged durability.

706202044 - Upper  
706202045 - Lower



## CHOOSING THE RIGHT DRIVE BELT CAN IMPACT POWER & PERFORMANCE

# WHAT MAKES CAN-AM BELTS STAND OUT?

One essential material stands among our drive belt components: **PBO Fiber.**

PBO Fiber is the next generation super fiber with excellent thermal stability, great abrasion resistance, and moreover, almost twice the strength and modulus of Aramid fiber.



- > We partner with the best manufacturers in the powersports industry to offer you **unique drive belts** with consistent quality.

- > The **100% cutting-edge PBO high-tensile strength polymer fiber** construction offers high-temperature robustness and prolonged durability.

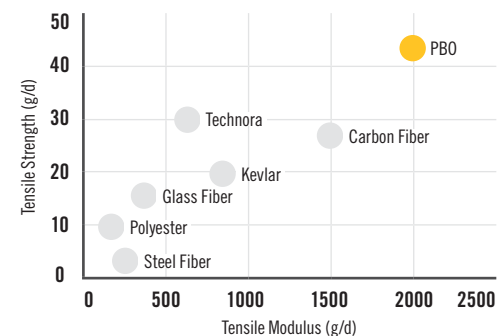
- > Our engineering teams have perfectly integrated and tested each drive belt to **provide quick throttle response, powerful acceleration, top speed and consistent shifting performance.**

- > We aim at delivering the highest levels of performance and longevity based on **your vehicle's specific end-use and calibration.**

### CAN-AM BELT CONSTRUCTION VS. COMPETITORS

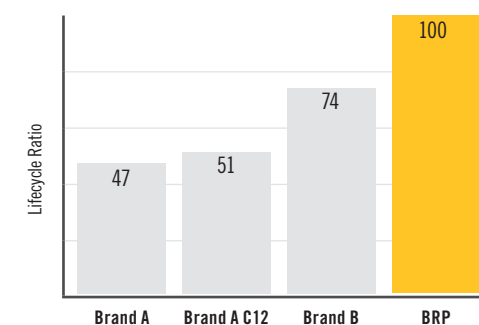
#### MODULUS & TENSILE STRENGTH

Based on Dynamometer testing, PBO surpasses Kevlar and Carbon Fiber materials in every way.



#### DURABILITY COMPARISON

Compared to Can-Am's Performance Drive Belt (100% PBO - 422280364).



"I HAVE TESTED ALL BELTS OUT THERE, AND CAN-AM'S DRIVE BELTS ARE THOSE I'M RELYING ON TO WIN RACES."

**PHIL BLURTON**

2017 & 2018 UTV WORLD CHAMPIONSHIP WINNER  
2017 BITD UTV PRO PRODUCTION TURBO CHAMPION

Note: Please contact your dealer or visit our online store at [can-amoffroad.com](http://can-amoffroad.com) for suggested retail prices regarding Genuine Can-Am Parts.

Some products shown may not be available or homologated in your country. Contact your BRP dealer for local details.



Rotax ACE  
triple-cylinder  
engine



Rotax V-twin  
engine



KYLE CHANEY  
2017 TORC PRO MOD UTV CHAMPION



PHIL BLURTON  
2017 BITD UTV PRO PRODUCTION  
TURBO CHAMPION

## WHY XPS OIL IS THE PERFECT FIT FOR YOUR ROTAX ENGINE?

Whether you purchased it as a necessity for transportation, or the pure exhilaration of performance, your Can-Am is an investment – get the most out of it. XPS lubricants are the only lubricants specifically engineered to do that with your Rotax-powered Can-Am vehicles.

XPS oil meets the demands of high-performance off-road engines, including turbo and supercharged engines. XPS oil is formulated specifically for the higher stress these engines experience.

### UNMATCHED RELIABILITY

Get the most out of every mile on every ride.

### ULTIMATE PERFORMANCE

Engineered to match the advanced performance of Rotax Engines.

### MADE FOR THIS

Developed with Rotax engines to deliver the best performance and lubrication in all conditions.



XPS OIL HAS UNDERGONE RIGOROUS TESTING IN WORST CASE SCENARIOS TO PROVE ITSELF AND WILL BE USED BY MANY CAN-AM OFF-ROAD RACERS THIS YEAR.

VISIT THE [CAN-AMOFFROAD.COM](http://CAN-AMOFFROAD.COM) PARTS & MAINTENANCE SECTION TO SEE THE FULL LINE OF XPS LUBRICANTS.

## XPS IS A COMPLETE RANGE OF PERFORMANCE PRODUCTS DESIGNED TO PROTECT YOUR VEHICLE AND EXTEND ITS LIFETIME.

EACH HAS BEEN RIGOROUSLY DEVELOPED, TESTED AND APPROVED. TAKE THE GUESSWORK OUT OF YOUR VEHICLE MAINTENANCE AND GET TRUE XPS PEACE OF MIND.



### XPS ENGINE OILS

#### NEW 4T 10W-50 SYNTHETIC OIL

- Engineered for heavy-duty and high-performance 4-stroke engines, including turbocharged, supercharged and racing engines.
- Formulated using carefully selected and strenuously tested base stocks and custom additives.
- Offers thick film strength to protect bearings, and a proven high-temp detergency to minimize deposits, prevent shear, provide thermal stability, and combat fuel dilution to ensure maximum performance from your engine.

946 ml 3.785 L  
779234 • US 779235 • US  
779240 • Europe 779241 • Europe

#### 4T 0W-40 SYNTHETIC OIL

- 4-stroke engines powering recreational vehicles through mud, snow and water withstand a lot of high RPM and high load abuse, and this full synthetic oil is carefully engineered to provide the best protection for high-performance ATVs and SSVs.
- Its wide operating temperature range, additional corrosion protection, and engineered detergency make this oil the best choice for any powersport vehicle with a 4-stroke engine used in cold weather.

946 ml 3.785 L  
779139 • US 779140 • US  
779286 • Europe 779287 • Europe

#### 4T 5W-40 SYNTHETIC BLEND OIL

- This synthetic blend is the oil of choice for owners of high-performance vehicles with a 4-stroke engine, including turbo or supercharged engines requiring carefully engineered friction.
- Combining the finest quality synthetic base stocks with extreme-tested synthetic additives, it provides superior engine and transmission protection against rust and corrosion compared to conventional engine oils, and optimum wet clutch operation for smooth and positive shifting with better cold start protection than 10W oils.

946 ml 3.785 L  
779133 • US 779134 • US  
779290 • Europe 779291 • Europe

### XPS ENGINE OILS

#### XPS 4-STROKE EXTREME COLD GRADE SYNTHETIC OIL

- BRP's Rotax 4-stroke engines that operate in northern latitudes will benefit from premium oil formulated for easier starting and ultimate cold flow.
- In temperatures down to -76°F / -60°C, XPS 4-Stroke Extreme Cold Grade Synthetic Oil flows fast from the sump to protect critical engine components at start-up.
- Formulated to maintain viscosity at operating temperature.

946 ml 3.785 L  
779145 • US 779146 • US  
779294 • Europe 779295 • Europe

### LUBRICANTS

#### SYNTHETIC GEAR OIL

- Uses custom additives to provide the best performance in Visco-Lok & Smart-Lok differentials.
- Allows higher loads, superior shear stability and reduced oxidation.
- Exceptional wear protection and superior performance at all operating temperatures.

946 ml  
75W-90 75W-140  
779158 • US 779160 • US  
779212 • Europe 779215 • Europe

#### SYNTHETIC GREASE SUSPENSION

- Designed to work specifically with the components found in Can-Am vehicle suspensions.
- It is highly stable and offers optimal lubrication at both extreme cold and high temperatures while protecting suspension components from dirt and moisture, as well as corrosion under extreme washout conditions.

400 g  
779163

#### ANTI-CORROSIVE LUBRICANT

- Multipurpose lubricant that can also be used to prevent rust, corrosion and moisture intrusion.
- It contains extreme pressure additives that work as an all-around lubricant for just about anywhere lubrication is needed.

340 g  
779168 • US  
779224 • Europe

#### EXTENDED LIFE PRE-MIXED COOLANT

- XPS Antifreeze/Coolant contains the correct dilution and the necessary additives to prevent corrosion and inhibit cavitation in BRP cooling systems.
- Long-life, 5-year formula specially formulated for BRP vehicles.
- Superior heat transfer.
- Ideal replacement for vehicles that normally use a 2-year antifreeze/coolant (green), 5-year (orange).

946 ml  
779150



Note: Please contact your dealer or visit our online store at [can-amoffroad.com](http://can-amoffroad.com) for suggested retail prices of XPS products. Some products shown may not be available or homologated in your country. Contact your BRP dealer for local details.

Note: Please contact your dealer or visit our online store at [can-amoffroad.com](http://can-amoffroad.com) for suggested retail prices of XPS products.

**XPS MAINTENANCE PRODUCTS**

**DOT4 BRAKE FLUID**

- Meets or exceeds all DOT3 and DOT4 brake fluid requirements.
- High-temperature formula resists fade, and also conditions seals and o-rings in braking system.
- 355 ml

779151 • US  
779207 • Europe



**RACING BRAKE FLUID**

- Exceeds DOT4 brake fluid requirements for extreme conditions and competition use.
- Extreme, 579-degree boiling point temperature is ideal for high-demand competition conditions to combat brake fade.
- 355 ml

779152 • US  
779209 • Europe



**ENGINE OIL CHANGE KIT**

- Ultra-convenient “all-in-one” oil change kit saves time and money.
- Includes XPS Synthetic or Synthetic Blend Oil, oil filter, o-rings and washer.

- 779256 • Synthetic Blend (5W-40 450 CC or less)
- 779257 • Full Synthetic (0W-40 450 CC or less)
- 779258 • Synthetic Blend (5W-40 500 CC or more)
- 779259 • Full Synthetic (0W-40 500 CC or more)
- 779252 • Full Synthetic (10W-50 500 CC or more)
- 779260 • Synthetic Blend (5W-40 900 ACE)
- 779261 • Full Synthetic (10W-50 900 ACE)



**HIGH PERFORMANCE SUSPENSION FLUID**

- A synthetic, fade-free formula for servicing FOX® shocks.
- Specially formulated for high-demand or racing application.
- Ultra high VI shock oil.
- Engineered viscosity for optimized performance with FOX® shocks valving.
- 946 ml

779153 • US  
779210 • Europe



**CARBON FREE FUEL TREATMENT**

- Combination of a fuel treatment and a fuel system cleaner that can be used periodically to restore lost starting or throttle performance, as well as maintain fuel system integrity and keep internal engine parts clean.
- It treats fuel for storage and addresses the moisture problems inherent in today's Ethanol-blended fuels, keeping ferrous and soft metal parts clean and free of corrosion.
- Uses patented, state-of-the-art additives.
- Cleans valves, sticky rings and combustion chamber.
- 355 ml

779169 • US  
779220 • Europe



**FUEL TREATMENT CARBURETOR CLEANER**

- Complete fuel treatment specially formulated to prevent small engine problems caused by Ethanol-blended fuels.
- It removes fuel system gum and varnish that may have accumulated during storage, stabilizes fuel against breakdown for 12 months or more, and adds corrosion protection from moisture for short- and long-term storage.
- It also helps restore throttle response and easy starting.
- It can be used periodically to maintain fuel system integrity, keep carburetor jets clean, and also combat moisture problems caused by Ethanol-blended fuels to keep ferrous and soft metal parts clean and free of corrosion.
- 355 ml

779172 • US  
779184 • Europe



**FUEL STABILIZER**

- Ethanol-compatible and will stabilize fuel in your tank to keep it from breaking down and causing hard starting, throttle hesitation and poor run quality.
- Ethanol attracts moisture, and this product contains powerful anti-corrosion additives to protect fuel system components.
- Prevents problems associated with E10 fuels.
- 236 ml

779171 • US  
779183 • Europe



**XPS CLEANERS**

**SPRAY CLEANER & POLISH**

- Removes dirt, grease, road grime and water marks easily and quickly.
- Non petroleum based formula will not harm plastic finishes.
- 340 g

219702844



**BRAKES & PARTS CLEANER**

- A concentrated blend of solvents with a powerful blasting spray that effectively removes grease, grime, brake fluid and other contaminants from brake components and metal parts without the need for disassembly.
- Evaporates instantly and completely, leaving no residue to hinder performance.
- Contains no ozone depleters.
- 397 g

219701776



**OFF-ROAD VEHICLE WASH**

- A biodegradable non-toxic cleaner that removes mud and dried-on dirt from your off-road vehicle.
- Whether grimy from the track, the woods or the fields, this cleaner will leave your off-road vehicle sparkling.
- When used as directed, XPS Wash is safe for all off-road vehicle finishes.
- 946 ml

219701702



**MICROFIBER TOWELS**

- The latest in high-quality detailing towels.
- Made up of extremely fine fibers, their soft surfaces have been perfected for drying and polishing painted, gel coated and hard shiny surfaces.
- They are so absorbent they hold up to seven times their weight in water.
- Machine washable means they can be used over and over again.
- Pack of 2.

219701759



**ski-doo LYNX SEA-DOO EVINRUDE ROTAX Can-am**

Note: Please contact your dealer or visit our online store at can-amoffroad.com for suggested retail prices of XPS products. Some products shown may not be available or homologated in your country. Contact your BRP dealer for local details.